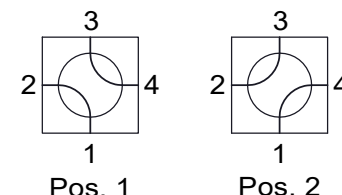
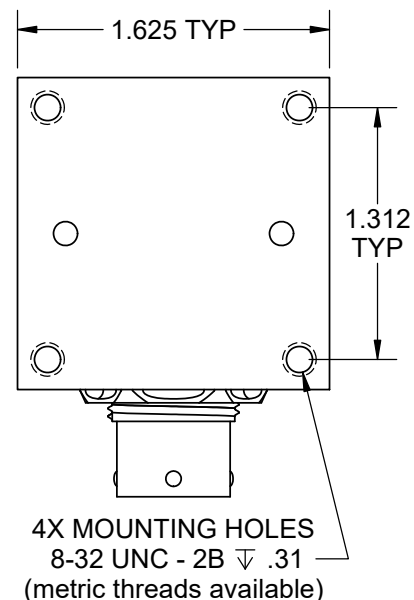
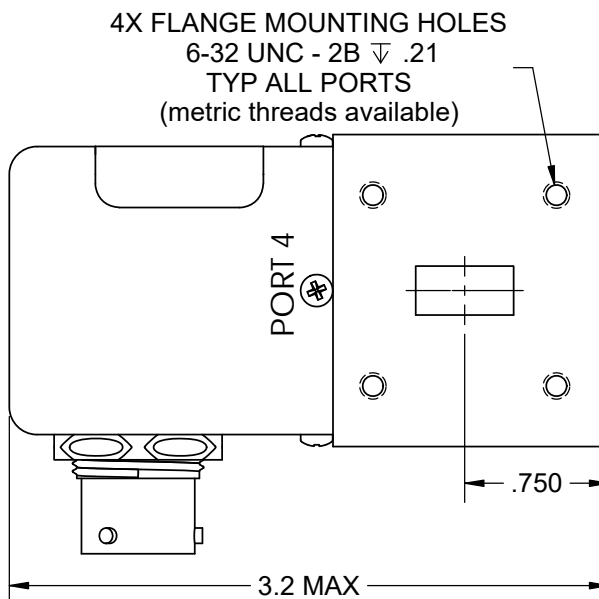
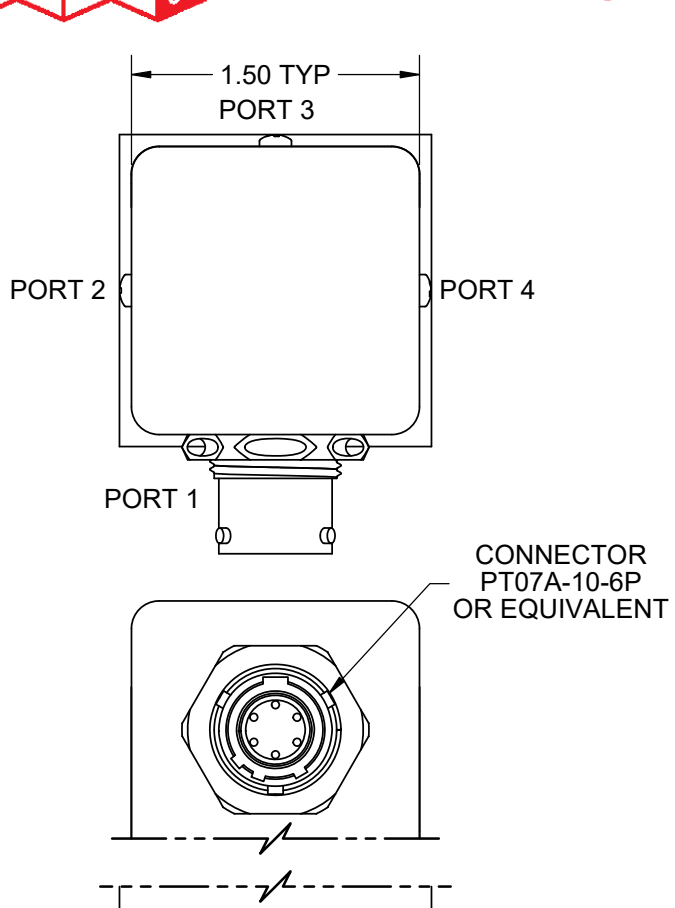




Waveguide Switch - UW Series - WR51



R.F. PATHS

(See Model # Chart to select options)

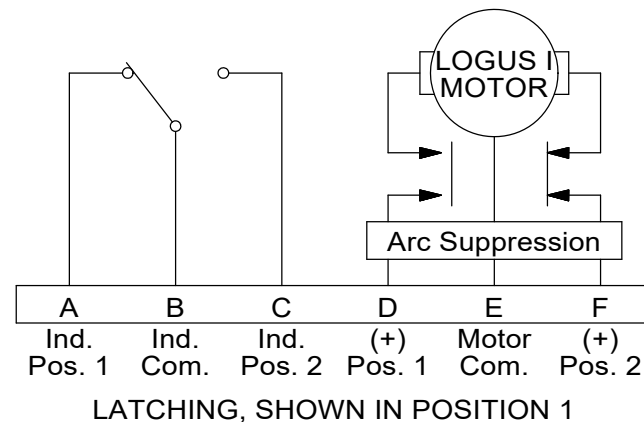
| | |
|-----------------|---|
| Frequency: | 15.0 to 22.0 GHz |
| VSWR: | 1.15:1 Max. |
| Insertion Loss: | 0.15 dB Max. |
| Isolation: | 60 dB Min. |
| Flange: | See Flange Table |
| Voltage: | See Voltage Table |
| Switching Time: | 80 mS Max. |
| Material: | Aluminum (RF Assy) |
| Finish: | Iridite per MIL-DTL-5541 |
| Pressure: | 5 PSIG Typ., 15 PSIG Max. (RF Head Only) |
| Drive: | Patented Logus Motor |
| Temp: | Operating: -40 °C to +85 °C Non-Operating: -55 °C to +100 °C |
| Humidity: | 0 to 100%, Fully Weatherized |

| ELECTRICAL CIRCUIT OPTIONS |
|----------------------------|
| NO INDICATORS |
| 1 SET INDICATORS |

| DRIVE OPTIONS |
|----------------|
| LATCHING |
| PULSE LATCHING |
| FAILSAFE |
| TTL |

| VOLTAGE OPTIONS |
|-----------------|
| 12 VDC |
| 15 VDC |
| 24 VDC |
| 28 VDC |
| 48 VDC |
| 115 VAC |

| FLANGE OPTIONS |
|----------------|
| COVER |
| GROOVE |
| CHOKE |



LATCHING, SHOWN IN POSITION 1

(See Schematic page for optional Electrical Circuits)