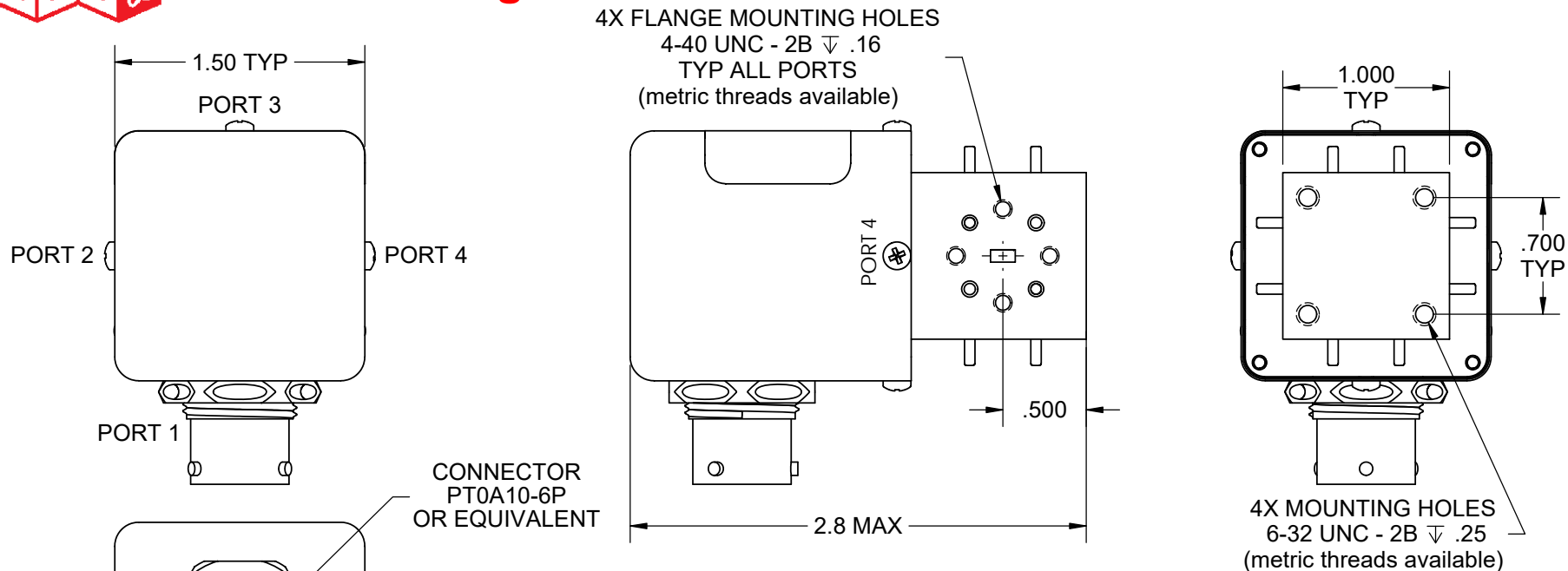




# Waveguide Switch - UW Series - WR15



Frequency: 50.0 to 75.0 GHz  
 VSWR: 1.2:1 Max.  
 Insertion Loss: 0.40 dB Max.  
 Isolation: 50 dB Min.

Flange: See Flange Table  
 Voltage: See Voltage Table  
 Switching Time: 50 mS Max.

Material: Aluminum (RF Assy)  
 Finish: Iridite per MIL-DTL-5541

Pressure: 5 PSIG Typ., 15 PSIG Max.  
 (RF Head Only)  
 Drive: Patented Logus Motor

Temp: Operating: -40 °C to +85 °C  
 Non-Operating: -55 °C to +100 °C  
 Humidity: 0 to 100%, Fully Weatherized

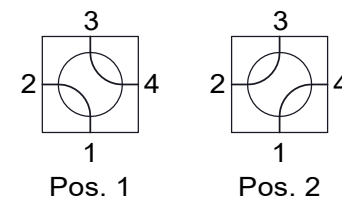
(See Model # Chart to select options)

ELECTRICAL CIRCUIT OPTIONS	
NO INDICATORS	
1 SET INDICATORS	

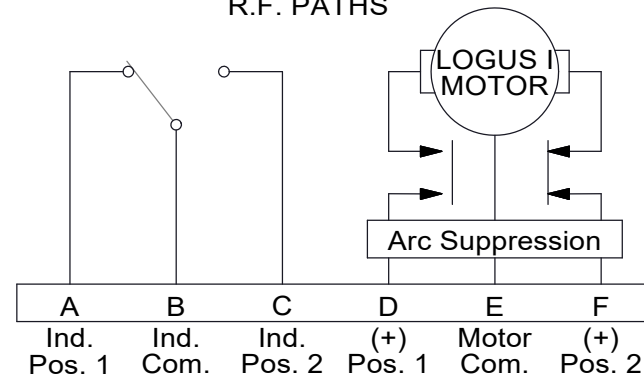
DRIVE OPTIONS	
LATCHING	12 VDC
PULSE LATCHING	15 VDC
FAILSAFE	24 VDC
TTL	28 VDC
	48 VDC
	115 VAC

VOLTAGE OPTIONS	
12 VDC	
15 VDC	
24 VDC	
28 VDC	
48 VDC	
115 VAC	

FLANGE OPTIONS	
COVER	
GROOVE	
CHOKE	



R.F. PATHS



LATCHING, SHOWN IN POSITION 1

(See Schematic page for optional Electrical Circuits)