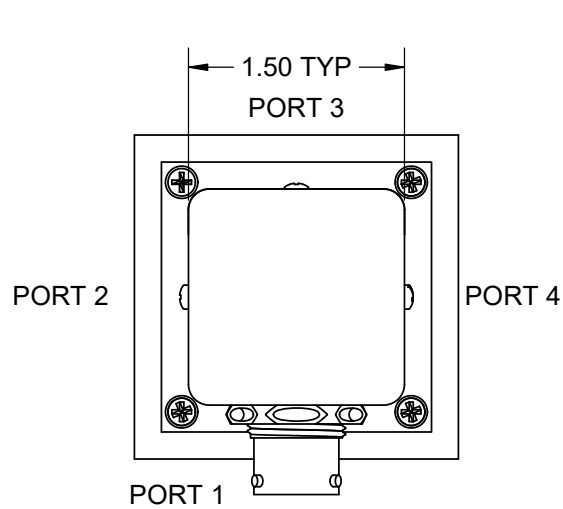


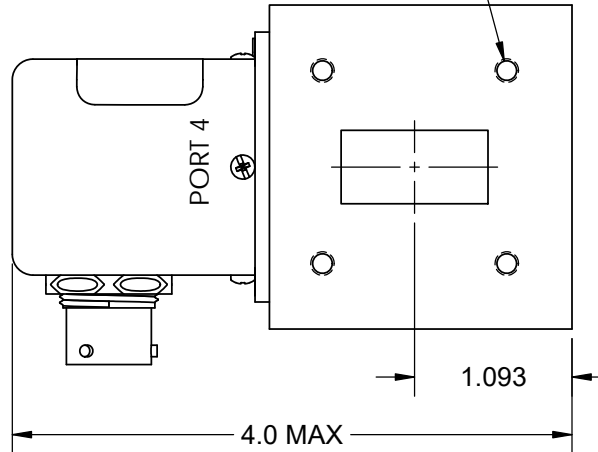


Waveguide Switch - UW Series - WR102

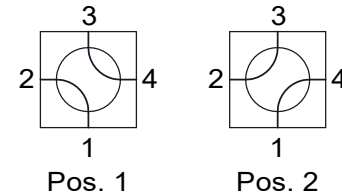
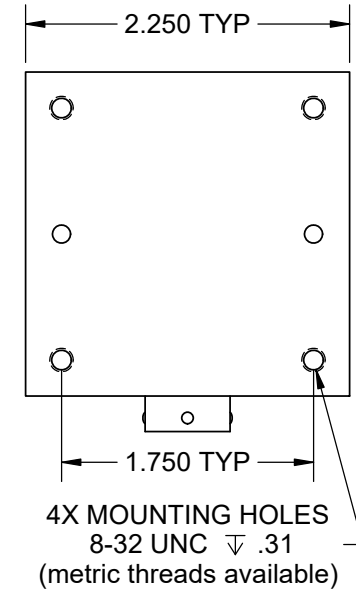
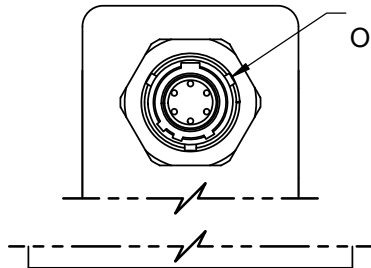
REV. A



4X FLANGE MOUNTING HOLES
8-32 UNC - 2B ∇ .31
TYP ALL PORTS
(metric threads available)



CONNECTOR
PT07A-10-6P
OR EQUIVALENT



(See Model # Chart to select options)

Frequency: 7.0 to 11.0 GHz
 VSWR: 1.10:1 Max.
 Insertion Loss: 0.06 dB Max.
 Isolation: 80 dB Min.

Flange: See Flange Table
 Voltage: See Voltage Table
 Switching Time: 100 mS Max.

Material: Aluminum (RF Assy)
 Finish: Iridite per MIL-DTL-5541

Pressure: 5 PSIG Typ., 15 PSIG Max.
 (RF Head Only)

Drive: Patented Logus Motor

Temp: Operating: -40°C to +85°C
 Non-Operating: -55°C to +100°C

Humidity: 0 to 100%, Fully Weatherized

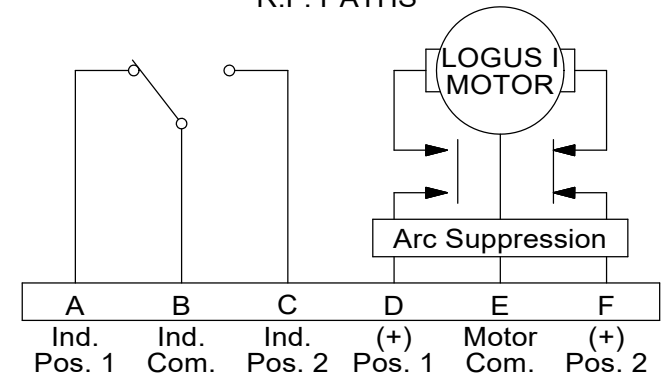
ELECTRICAL CIRCUIT OPTIONS
NO INDICATORS
1 SET INDICATORS

DRIVE OPTIONS
LATCHING
PULSE LATCHING
FAILSAFE
TTL

VOLTAGE OPTIONS
12 VDC
15 VDC
24 VDC
28 VDC
48 VDC
115 VAC

FLANGE OPTIONS
COVER
GROOVE
CHOKE

R.F. PATHS



LATCHING, SHOWN IN POSITION 1

(See Schematic page for optional Electrical Circuits)