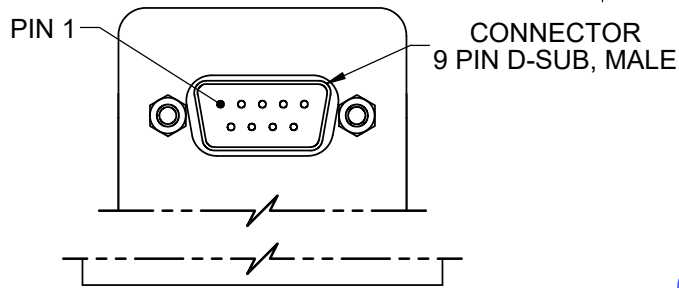
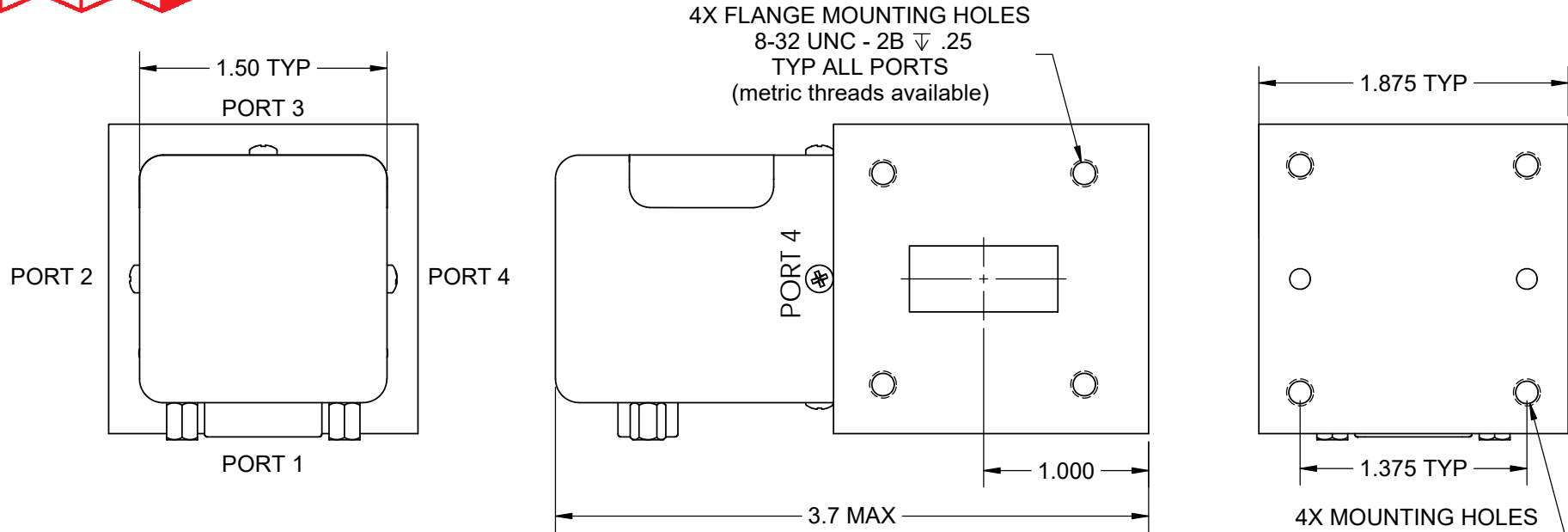




Waveguide Switch - UM Series - WR90

REV. B



(See Model # Chart to select options)

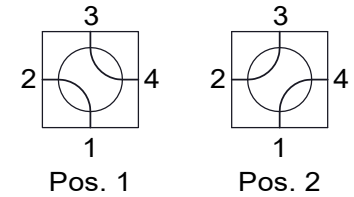
Frequency:	8.2 to 12.4 GHz
VSWR:	1.10:1 Max.
Insertion Loss:	0.07 dB Max.
Isolation:	80 dB Min.
Flange:	See Flange Table
Voltage:	See Voltage Table
Switching Time	100 mS Max.
Material:	Aluminum (RF Assy)
Finish:	Iridite per MIL-DTL-5541
Pressure:	5 PSIG Typ., 15 PSIG Max. (RF Head Only)
Drive:	Patented Logus Motor
Temp:	Operating: -40 °C to +85 °C Non-Operating: -55 °C to +100 °C
Humidity:	0 to 95%, No Condensation

ELECTRICAL CIRCUIT OPTIONS
NO INDICATORS
1 SET INDICATORS

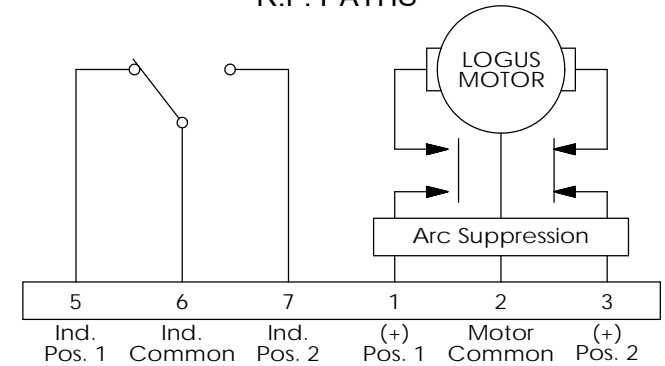
DRIVE OPTIONS
LATCHING
PULSE LATCHING
FAILSAFE
TTL

VOLTAGE OPTIONS
12 VDC
15 VDC
24 VDC
28 VDC
48 VDC
115 VAC

FLANGE OPTIONS
COVER
GROOVE
CHOKE



R.F. PATHS



LATCHING, SHOWN IN POSITION 1

(See Schematic page for optional Electrical Circuits)