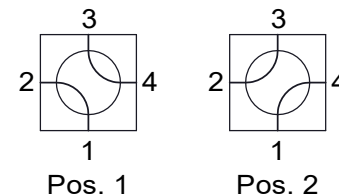
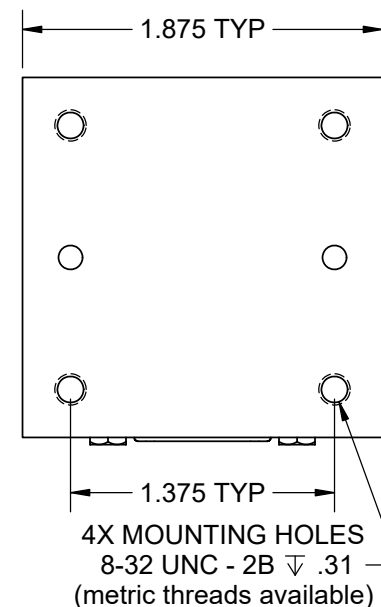
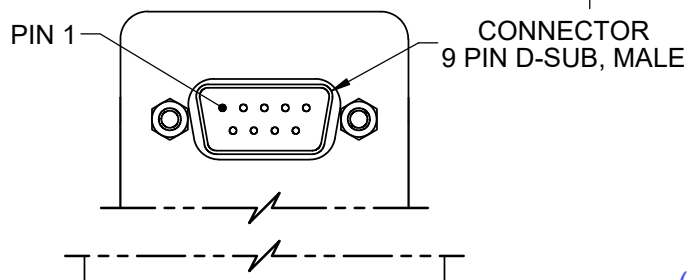
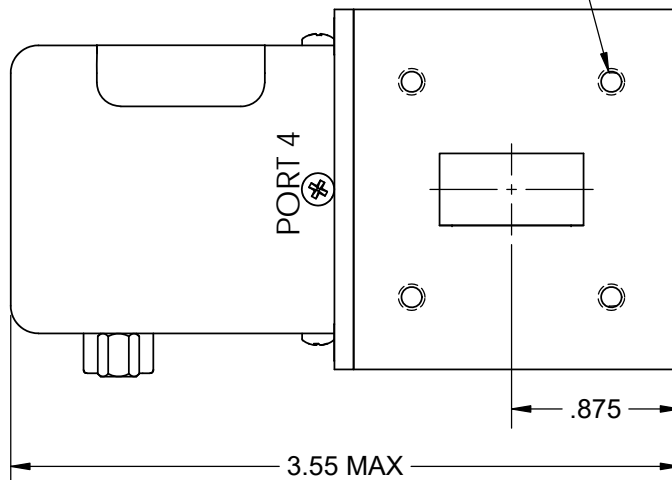
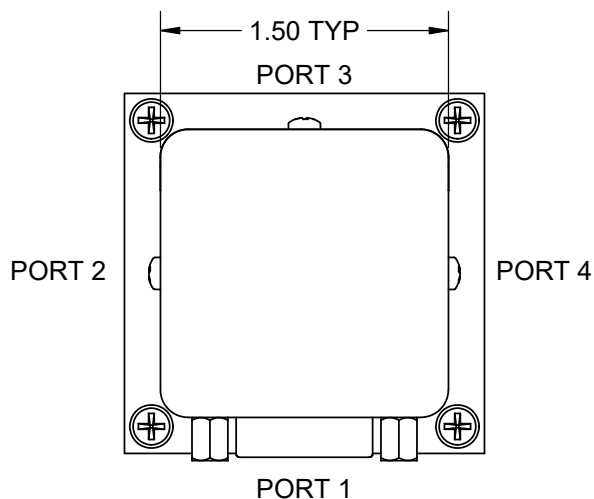




Waveguide Switch - UM Series - WR75

REV. B

4X FLANGE MOUNTING HOLES
6-32 UNC - 2B ∇ .25
TYP ALL PORTS
(metric threads available)



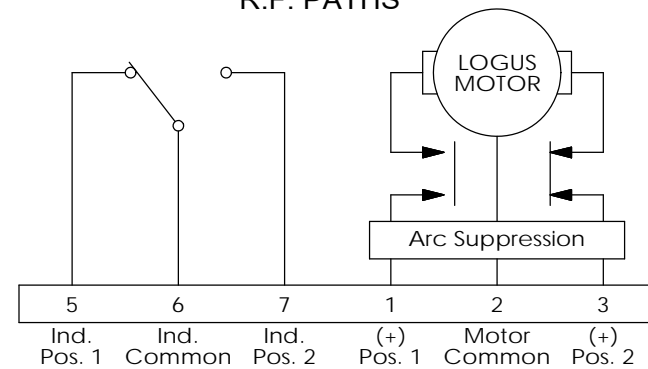
(See Model # Chart to select options)

Frequency:	10.0 to 15.0 GHz
VSWR:	1.10:1 Max.
Insertion Loss:	0.05 dB Max.
Isolation:	75 dB Min.
Flange:	See Flange Table
Voltage:	See Voltage Table
Switching Time	80 mS Max.
Material:	Aluminum (RF Assy)
Finish:	Iridite per MIL-DTL-5541
Pressure:	5 PSIG Typ., 15 PSIG Max. (RF Head Only)
Drive:	Patented Logus Motor
Temp:	Operating: -40 °C to +85 °C Non-Operating: -55 °C to +100 °C
Humidity:	0 to 95%, No Condensation

ELECTRICAL CIRCUIT OPTIONS
NO INDICATORS
1 SET INDICATORS

DRIVE OPTIONS	VOLTAGE OPTIONS	FLANGE OPTIONS
LATCHING	12 VDC	COVER
PULSE LATCHING	15 VDC	GROOVE
FAILSAFE	24 VDC	CHOKE
TTL	28 VDC	
	48 VDC	
	115 VAC	

R.F. PATHS



LATCHING, SHOWN IN POSITION 1

(See Schematic page for optional Electrical Circuits)