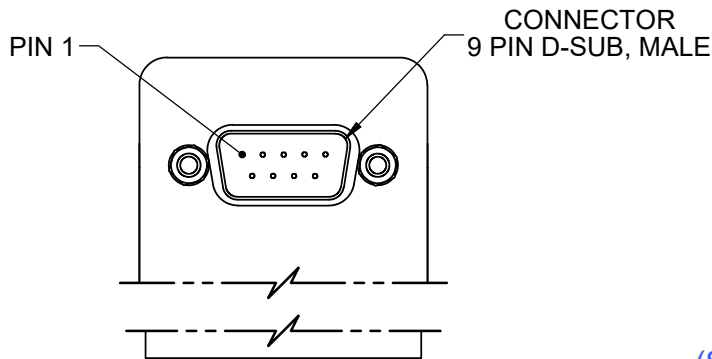
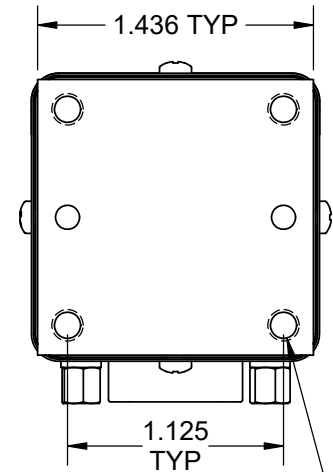
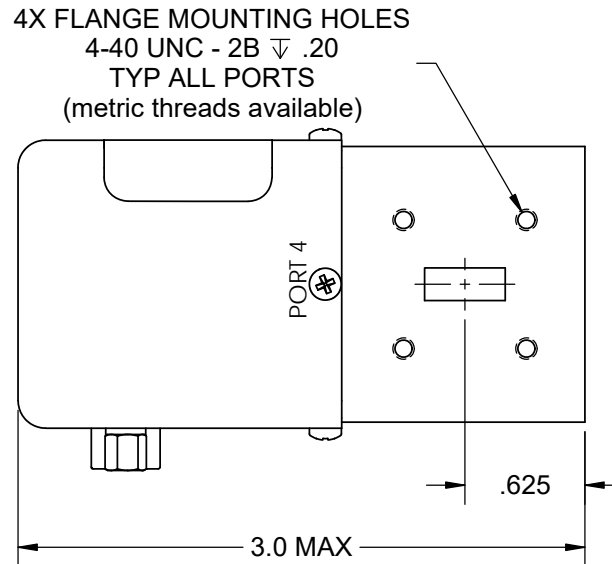
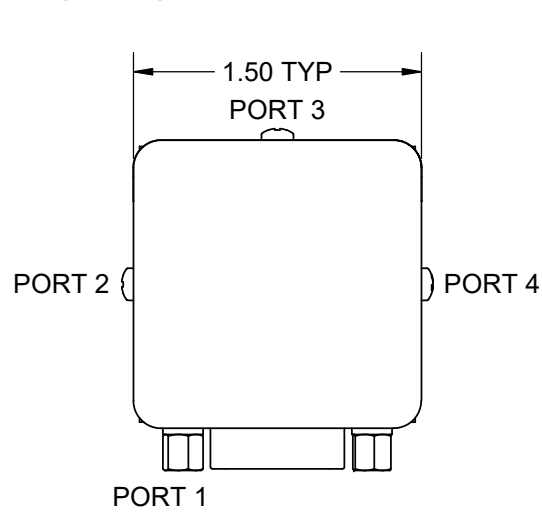
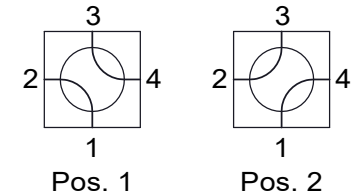




# Waveguide Switch - UM Series - WR42



4X MOUNTING HOLES  
8-32 UNC - 2B .25  
(metric threads available)

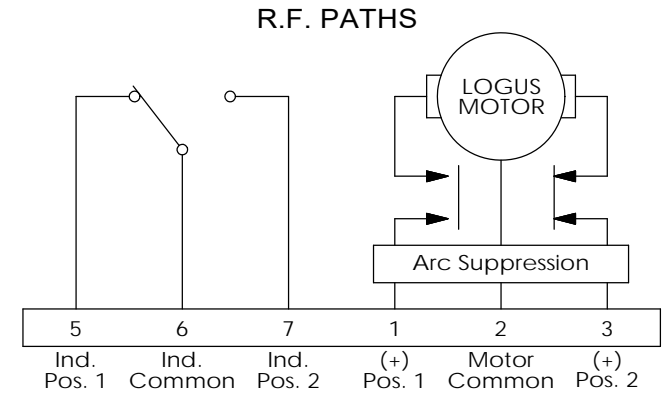


(See Model # Chart to select options)

- Frequency: 18.0 to 26.5 GHz
- VSWR: 1.10:1 Max.
- Insertion Loss: 0.15 dB Max.
- Isolation: 60 dB Min.
- Flange: See Flange Table
- Voltage: See Voltage Table
- Switching Time: 80 mS Max.
- Material: Aluminum (RF Assy)
- Finish: Iridite per MIL-DTL-5541
- Pressure: 5 PSIG Typ., 15 PSIG Max. (RF Head Only)
- Drive: Patented Logus Motor
- Temp: Operating: -40 °C to +85 °C  
Non-Operating: -55 °C to +100 °C
- Humidity: 0 to 95%, No Condensation

ELECTRICAL CIRCUIT OPTIONS
NO INDICATORS
1 SET INDICATORS

DRIVE OPTIONS	VOLTAGE OPTIONS	FLANGE OPTIONS
LATCHING	12 VDC	COVER
PULSE LATCHING	15 VDC	GROOVE
FAILSAFE	24 VDC	CHOKE
TTL	28 VDC	
	48 VDC	
	115 VAC	



LATCHING, SHOWN IN POSITION 1

(See Schematic page for optional Electrical Circuits)