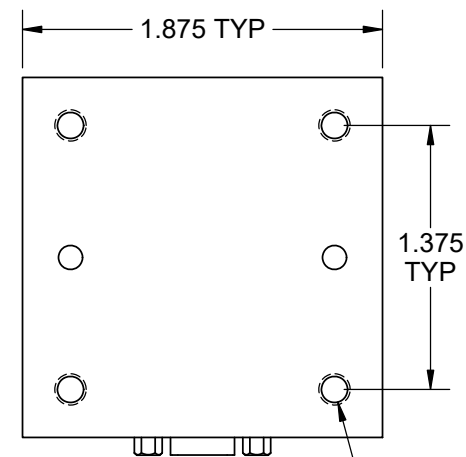
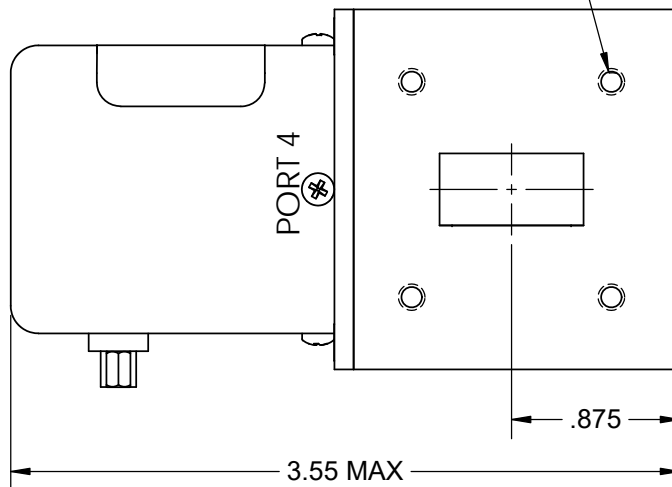
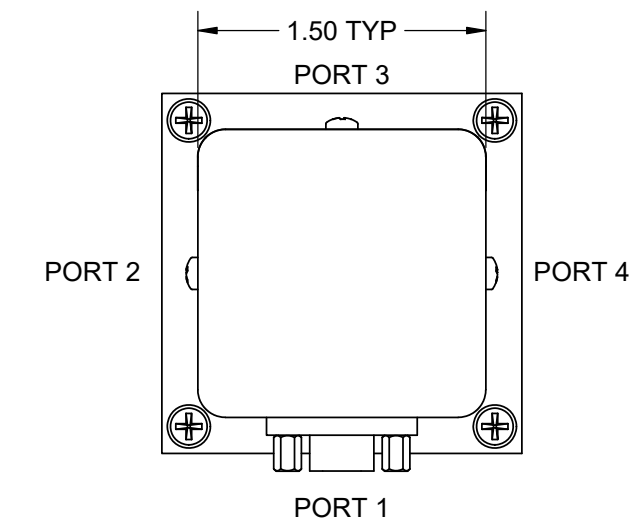




Waveguide Switch - UA Series - WR75

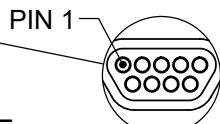
4X FLANGE MOUNTING HOLES
6-32 UNC - 2B ∇ .25
TYP ALL PORTS
(metric threads available)



4X MOUNTING HOLES
8-32 UNC - 2B ∇ .31
(metric threads available)

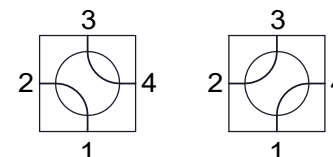
2X JACKPOST
M83513/05-07
OR EQUIVALENT

CONNECTOR
9 PIN MICRO-D
M83513/01-AC
OR EQUIVALENT



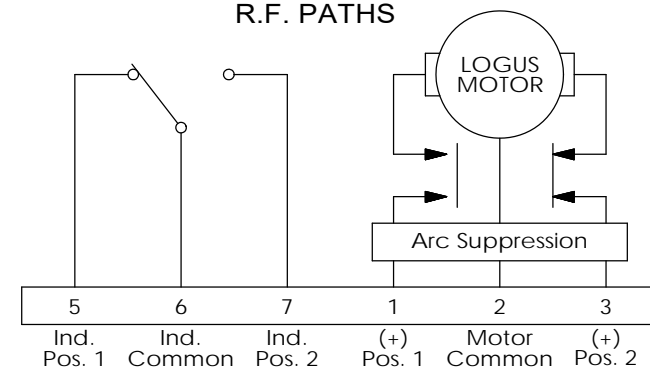
DETAIL A
SCALE 2 : 1

(See Model # Chart to select options)



Pos. 1 Pos. 2

R.F. PATHS



LATCHING, SHOWN IN POSITION 1

(See Schematic page for optional Electrical Circuits)

Frequency: 10.0 to 15.0 GHz
VSWR: 1.10:1 Max.
Insertion Loss: 0.05 dB Max.
Isolation: 75 dB Min.

Flange: See Flange Table
Voltage: See Voltage Table
Switching Time: 80 mS Max.

Material: Aluminum (RF Assy)
Finish: Iridite per MIL-DTL-5541

Pressure: 5 PSIG Typ., 15 PSIG Max.
Drive: Patented Logus Motor

Temp: Operating: -54 °C to +85 °C
Non-Operating: -60 °C to +100 °C
Humidity: 0 to 100%, Fully Sealed

Switch Designed for Airborne Applications

ELECTRICAL CIRCUIT OPTIONS
NO INDICATORS
1 SET INDICATORS

DRIVE OPTIONS
LATCHING
PULSE LATCHING
FAILSAFE
TTL

VOLTAGE OPTIONS
12 VDC
15 VDC
24 VDC
28 VDC
48 VDC
115 VAC

FLANGE OPTIONS
COVER
GROOVE
CHOKE