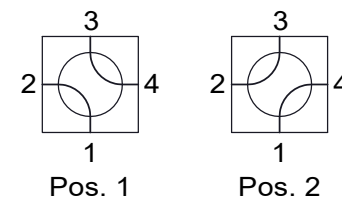
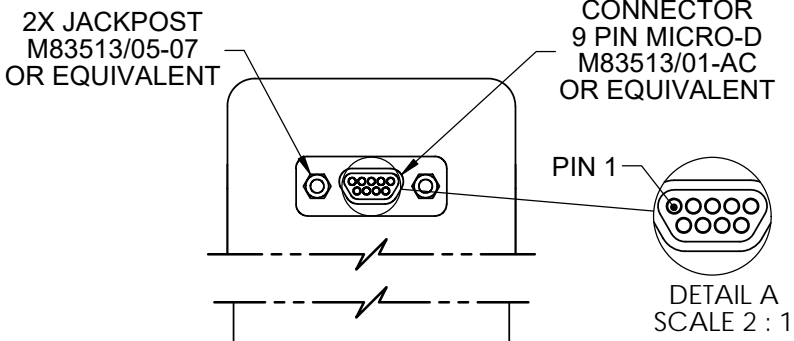
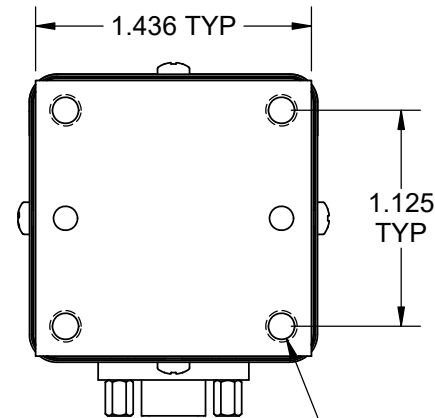
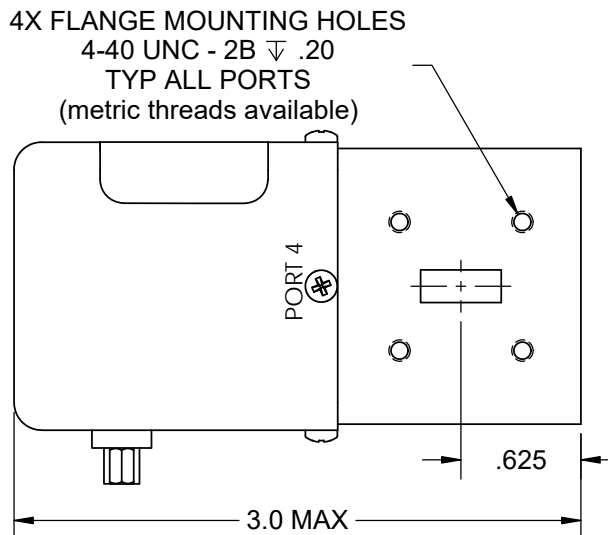
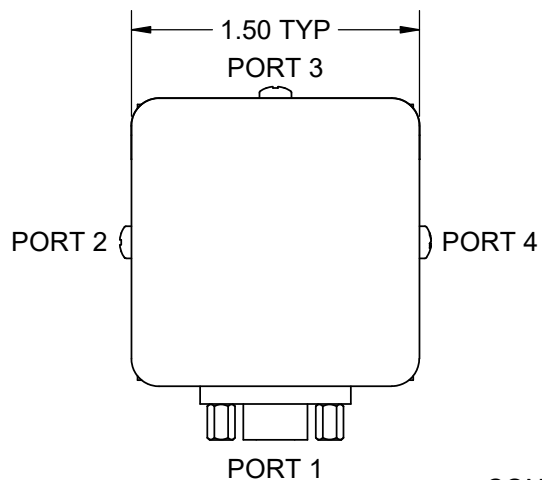




# Waveguide Switch - UA Series - WR42

REV. A



(See Model # Chart to select options)

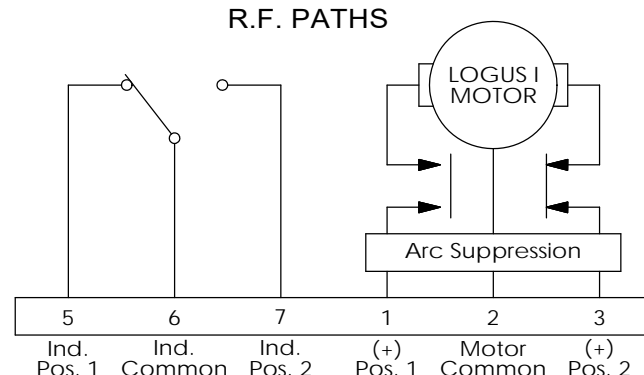
Frequency:	18.0 to 26.5 GHz
VSWR:	1.10:1 Max.
Insertion Loss:	0.15 dB Max.
Isolation:	60 dB Min.
Flange:	See Flange Table
Voltage:	See Voltage Table
Switching Time:	80 mS Max.
Material:	Aluminum (RF Assy)
Finish:	Iridite per MIL-DTL-5541
Pressure:	5 PSIG Typ., 15 PSIG Max.
Drive:	Patented Logus Motor
Temp:	Operating: -54°C to +85°C Non-Operating: -60°C to +100°C
Humidity:	0 to 100%, Fully Sealed

ELECTRICAL CIRCUIT OPTIONS
NO INDICATORS
1 SET INDICATORS

DRIVE OPTIONS
LATCHING
PULSE LATCHING
FAILSAFE
TTL

VOLTAGE OPTIONS
12 VDC
15 VDC
24 VDC
28 VDC
48 VDC
115 VAC

FLANGE OPTIONS
COVER
GROOVE
CHOKE



LATCHING, SHOWN IN POSITION 1

(See Schematic page for optional Electrical Circuits)

Switch Designed for Airborne Applications