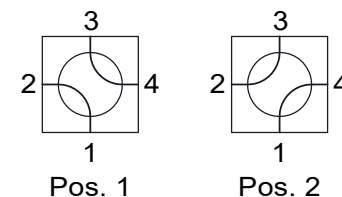
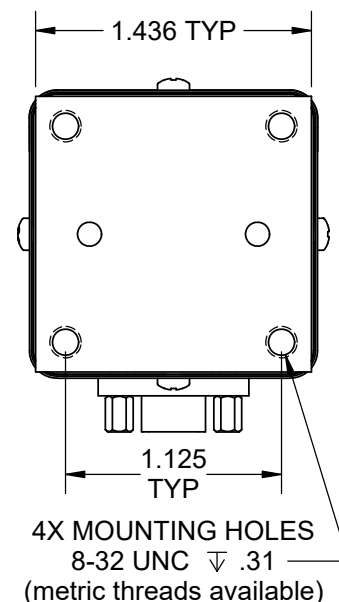
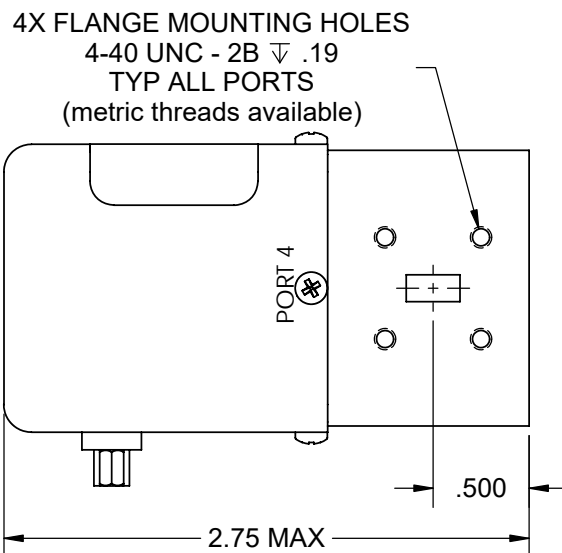
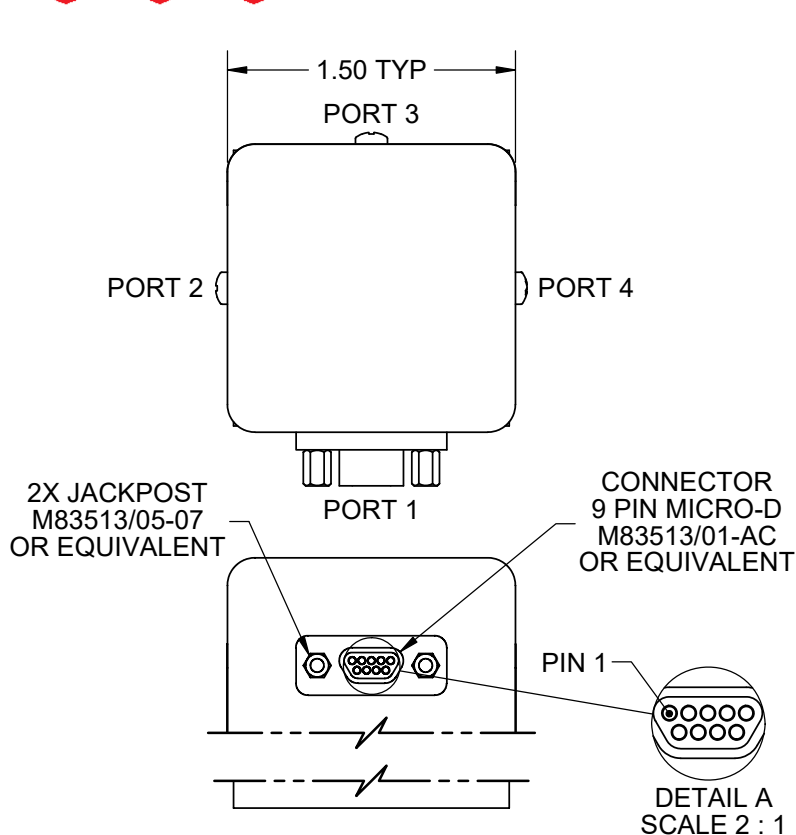


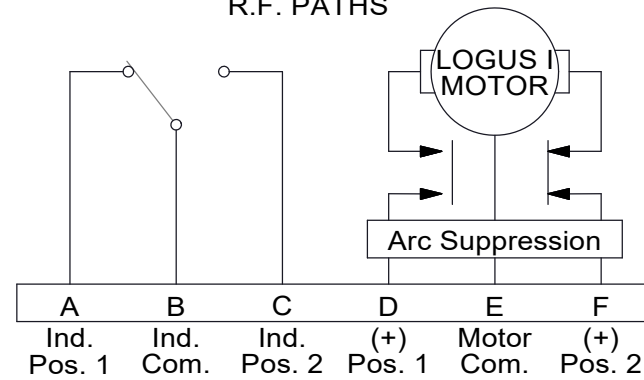


Waveguide Switch - UA Series - WR28

REV. A



R.F. PATHS



LATCHING, SHOWN IN POSITION 1

(See Schematic page for optional Electrical Circuits)

(See Model # Chart to select options)

ELECTRICAL CIRCUIT
OPTIONS
NO INDICATORS
1 SET INDICATORS

DRIVE
OPTIONS
LATCHING
PULSE
LATCHING
FAILSAFE
TTL

VOLTAGE
OPTIONS
12 VDC
15 VDC
24 VDC
28 VDC
48 VDC
115 VAC

FLANGE
OPTIONS
COVER
GROOVE
CHOKE

Frequency: 26.5 to 40.0 GHz
 VSWR: 1.15:1 Max.
 Insertion Loss: 0.15 dB Max.
 Isolation: 55 dB Min.

Flange: See Flange Table
 Voltage: See Voltage Table
 Switching Time: 50 mS Max.

Material: Aluminum (RF Assy)
 Finish: Iridite per MIL-DTL-5541

Pressure: 5 PSIG Typ., 15 PSIG Max.
 Drive: Patented Logus Motor

Temp: Operating: -54 °C to +85 °C
 Non-Operating: -60 °C to +100 °C

Humidity: 0 to 100%, Fully Sealed

Switch Designed for Airborne Applications