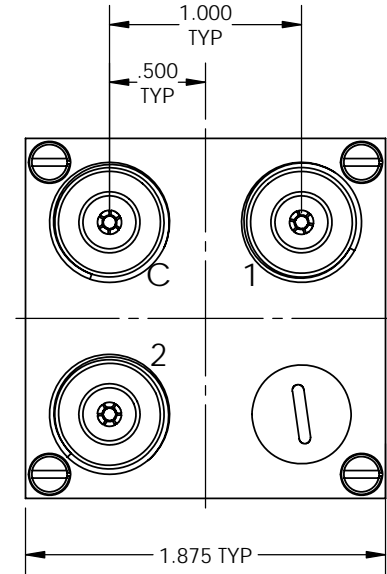
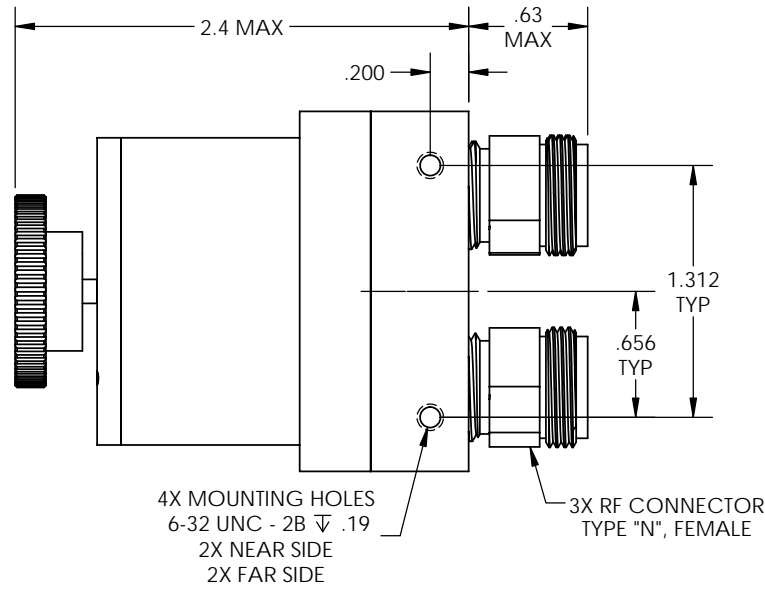
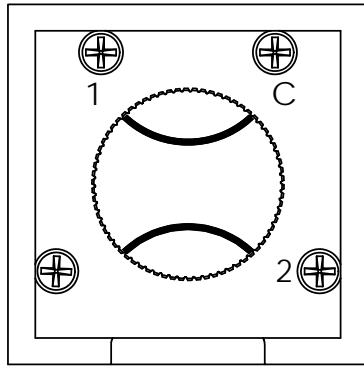




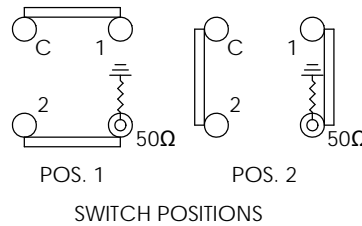
# Coaxial Switch - TMC12ANT

## Terminated, SPDT, TYPE "N", Manual



Frequency (GHz)	DC to1	1 to 3	3 to 8.4
VSWR (Max.)	1.15:1	1.30:1	1.40:1
Insertion Loss (Max.)	0.15 dB	0.30 dB	0.40 dB
Isolation (Min.)	80 dB	70 dB	60 dB
Power (Max.)	250 WCW	150 WCW	100 WCW

Material: Aluminum (RF Assy)  
 Finish: Iridite per MIL-DTL-5541, Type II Class 3  
 Paint Dull Black Enamel  
 Temperature: Operating -10 °C to +71 °C  
 Non-Operating -55 °C to +100 °C  
 Humidity: 0 to 95% , No Condensation



RoHS Compliant