



Coaxial Switch - S□ TC12GTL Series

SPDT, TTL, Type "TNC", Latching, 1 Set Indicators

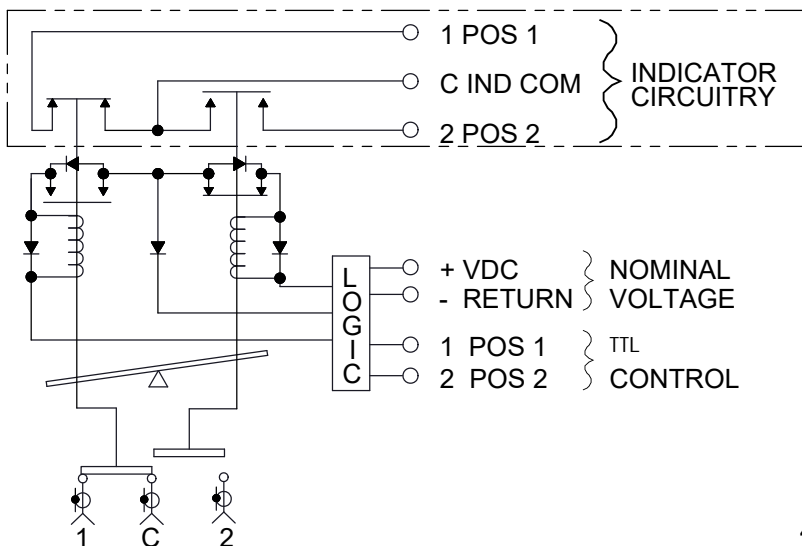
REV. A

STANDARD - 1 SET INDICATORS

OPTION A - NO INDICATORS

OPTION 1 - SOLDER TERMINALS

OPTION 4 - D-SUB



SCHEMATIC DIAGRAM SHOWN IN POSITION 1

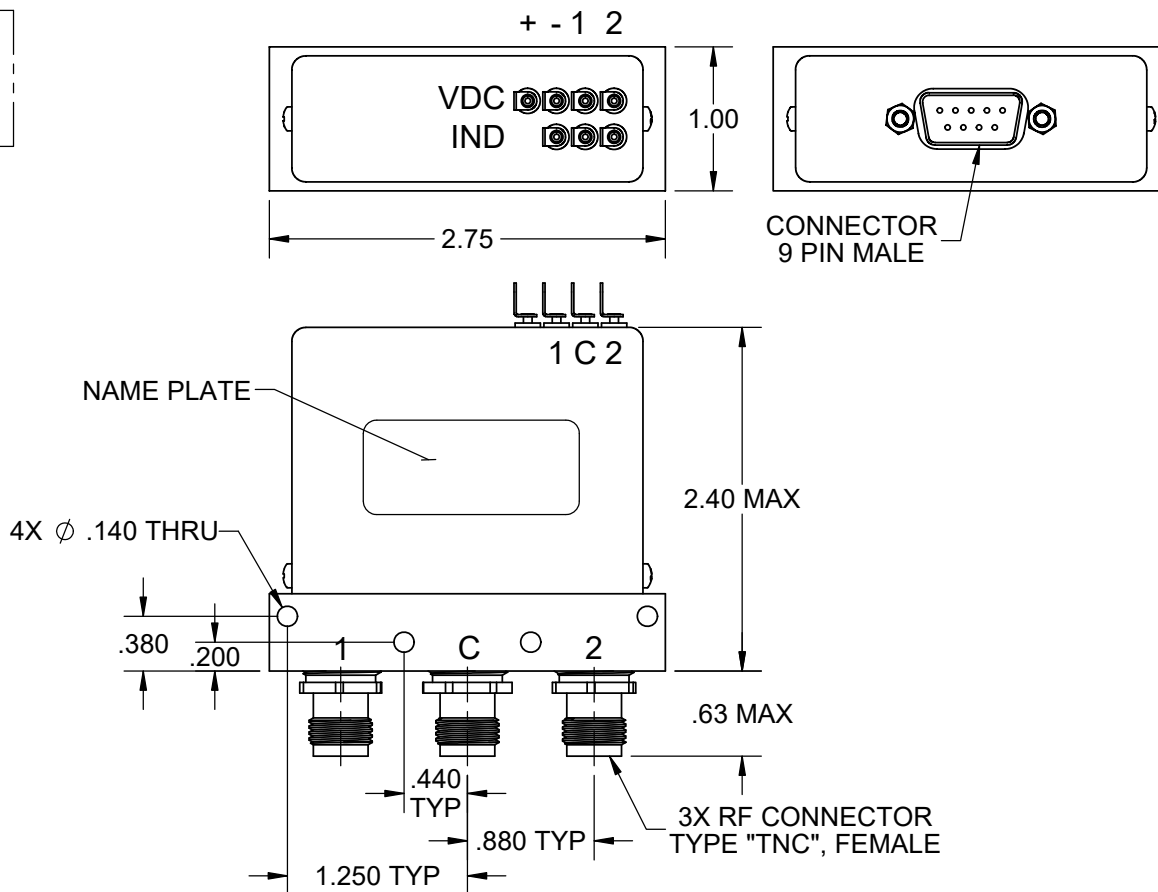
| | DC to 4 | 4 to 8 | 8 to 12.4 |
|-----------------------|---------|---------|-----------|
| Frequency (GHz) | DC to 4 | 4 to 8 | 8 to 12.4 |
| VSWR (Max.) | 1.2:1 | 1.4:1 | 1.5:1 |
| Insertion Loss (Max.) | 0.2 dB | 0.35 dB | 0.5 dB |
| Isolation (Min.) | 80 dB | 70 dB | 60 dB |
| Power (Max.) | 100 WCW | 80 WCW | 75 WCW |

RF Impedance: 50 ohms
 Voltage: See Table
 Current: See Table
 TTL Logic:
 Voltage High: 3.0 to 5.5 VDC
 Current High: 5 mA max. @ 5 VDC
 Switching Time: 20 mS Max.

Material: Aluminum (RF Assy)
 RF Contacts: Break Before Make
 Finish: Iridite per MIL-DTL-5541, Type II Class 3
 Cover Black

| STYLE | ENVIRONMENT | OPERATING TEMPERATURE | NON-OPERATING TEMPERATURE | HUMIDITY |
|-------|-------------|-----------------------|---------------------------|-----------|
| SO | SHELTERED | 0°C to +70°C | -40°C to +100°C | 0 to 95% |
| SW | OUTDOOR | -40°C to +85°C | -55°C to +100°C | 0 to 100% |
| SA | AIRBORNE | -54°C to +85°C | -55°C to +100°C | 0 to 100% |

RoHS Compliant (except AIRBORNE)



| OPTION | VOLTAGE | CURRENT @ 20° C |
|--------|--------------|---------------------|
| 8 | 10 TO 14 VDC | 300 mA Max @ 12 VDC |
| 9 | 13 TO 18 VDC | 200 mA Max @ 15 VDC |
| 7 | 21 TO 28 VDC | 250 mA Max @ 24 VDC |
| 2 | 25 TO 32 VDC | 180 mA Max @ 28 VDC |

Model # ex. S□ TC12GTL [2] [A] [1]
 Style Voltage Indicators Interface