



Coaxial Switch - S□C22GNL Series

DPDT, Type "N", Latching, 1 Set Indicators

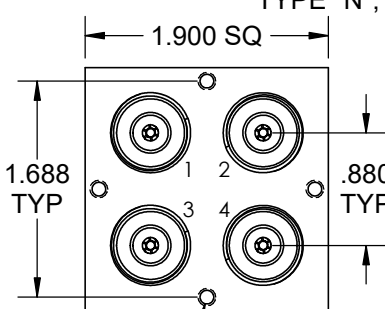
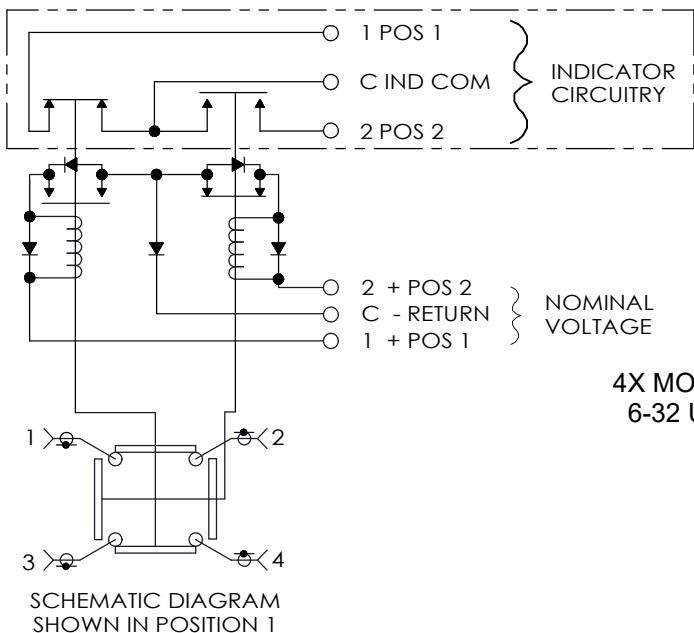
REV. B

STANDARD - 1 SET INDICATORS

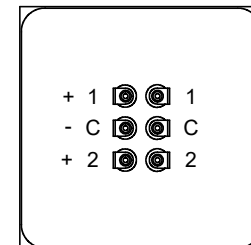
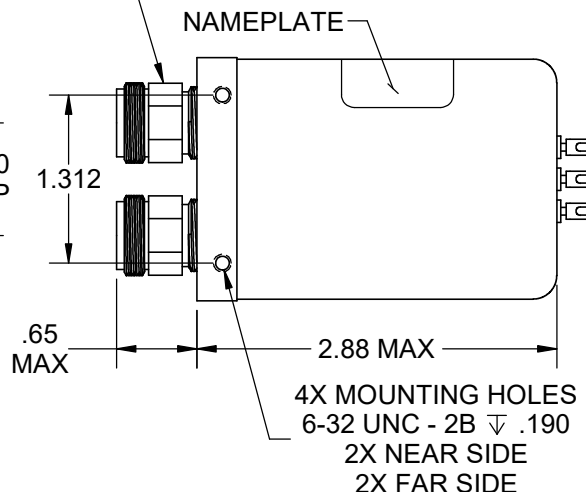
OPTION A - NO INDICATORS

4X RF CONNECTORS
TYPE "N", FEMALE

OPTION 1 - SOLDER TERMINALS

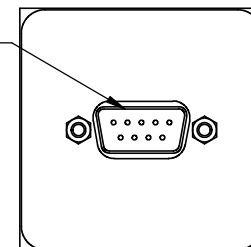


4X MOUNTING HOLES
6-32 UNC - 2B ∇ .19



OPTION 4 - D-SUB

CONNECTOR
9 PIN MALE



| | | | |
|-----------------------|---------|---------|-----------|
| Frequency (GHz) | DC to 3 | 3 to 8 | 8 to 12.4 |
| VSWR (Max.) | 1.2:1 | 1.35:1 | 1.5:1 |
| Insertion Loss (Max.) | 0.2 dB | 0.35 dB | 0.5 dB |
| Isolation (Min.) | 80 dB | 70 dB | 60 dB |
| Power (Max.) | 300 WCW | 200 WCW | 150 WCW |

RF Impedance: 50 ohms
Voltage: See Table
Current: See Table
Switching Time: 20 mS Max.

Material: Aluminum (RF Assy)
RF Contacts: Break Before Make
Finish: Iridite per MIL-DTL-5541, Type II Class 3
Cover Black

| STYLE | ENVIRONMENT | OPERATING TEMPERATURE | NON-OPERATING TEMPERATURE | HUMIDITY |
|-------|-------------|-----------------------|---------------------------|-----------|
| SO | SHELTERED | 0°C to +70°C | -40°C to +100°C | 0 to 95% |
| SW | OUTDOOR | -40°C to +85°C | -55°C to +100°C | 0 to 100% |
| SA | AIRBORNE | -54°C to +85°C | -55°C to +100°C | 0 to 100% |

RoHS Compliant (except AIRBORNE)

| OPTION | VOLTAGE | CURRENT @ 20° C |
|--------|--------------|---------------------|
| 8 | 10 TO 14 VDC | 400 mA Max @ 12 VDC |
| 9 | 13 TO 18 VDC | 350 mA Max @ 15 VDC |
| 7 | 21 TO 28 VDC | 300 mA Max @ 24 VDC |
| 2 | 25 TO 32 VDC | 250 mA Max @ 28 VDC |

Model # ex. S□C22GNL [2] [A] [1]
Style Voltage Indicators Interface