



# Coaxial Switch - S□C21GNF Series SPDT, Type "N", Failsafe, 1 Set Indicators

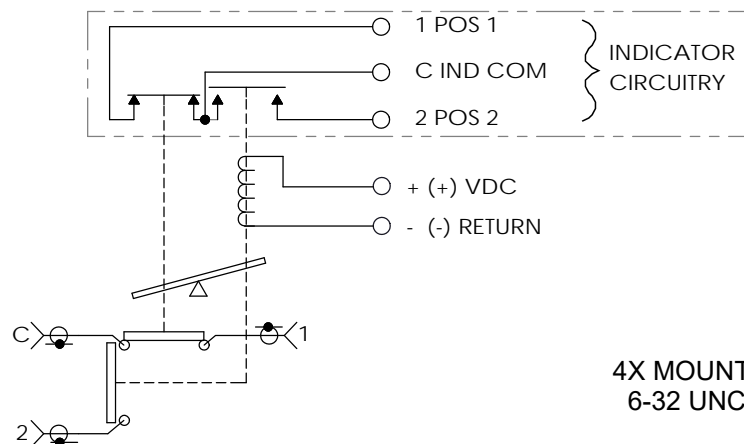
REV. A

STANDARD - 1 SET INDICATORS

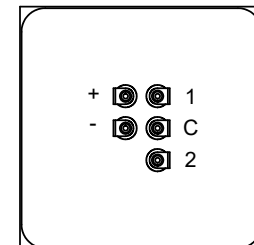
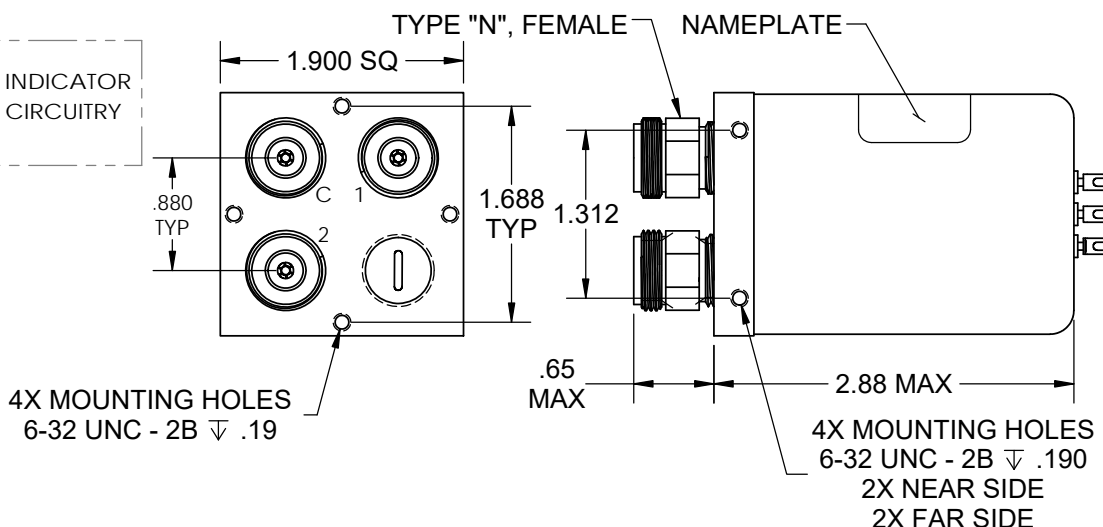
OPTION A - NO INDICATORS

3X RF CONNECTORS

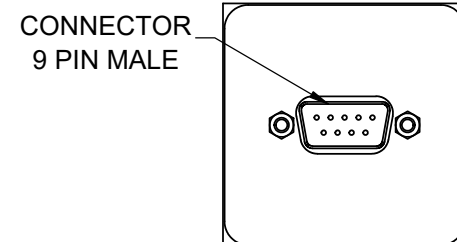
OPTION 1 - SOLDER TERMINALS



SCHEMATIC DIAGRAM SHOWN IN FAILSAFE POSITION 1



OPTION 4 - D-SUB



Frequency (GHz)	DC to 3	3 to 8	8 to 12.4
VSWR (Max.)	1.2:1	1.35:1	1.5:1
Insertion Loss (Max.)	0.2 dB	0.35 dB	0.5 dB
Isolation (Min.)	80 dB	70 dB	60 dB
Power (Max.)	300 WCW	200 WCW	150 WCW

RF Impedance: 50 ohms  
Voltage: See Table  
Current: See Table  
Switching Time: 20 mS Max.

Material: Aluminum (RF Assy)  
RF Contacts: Break Before Make  
Finish: Iridite per MIL-DTL-5541, Type II Class 3  
Cover Black

STYLE	ENVIRONMENT	OPERATING TEMPERATURE	NON-OPERATING TEMPERATURE	HUMIDITY
SO	SHELTERED	0°C to +70°C	-40°C to +100°C	0 to 95%
SW	OUTDOOR	-40°C to +85°C	-55°C to +100°C	0 to 100%
SA	AIRBORNE	-54°C to +85°C	-55°C to +100°C	0 to 100%

OPTION	VOLTAGE	CURRENT @ 20° C
8	11 TO 13 VDC	400 mA Max @ 12 VDC
9	14 TO 16 VDC	400 mA Max @ 15 VDC
7	22 TO 26 VDC	350 mA Max @ 24 VDC
2	26 TO 30 VDC	350 mA Max @ 28 VDC

Model # ex. S□C21GNF [2] [A] [1]  
Style Voltage Indicators Interface

RoHS Compliant (except AIRBORNE)