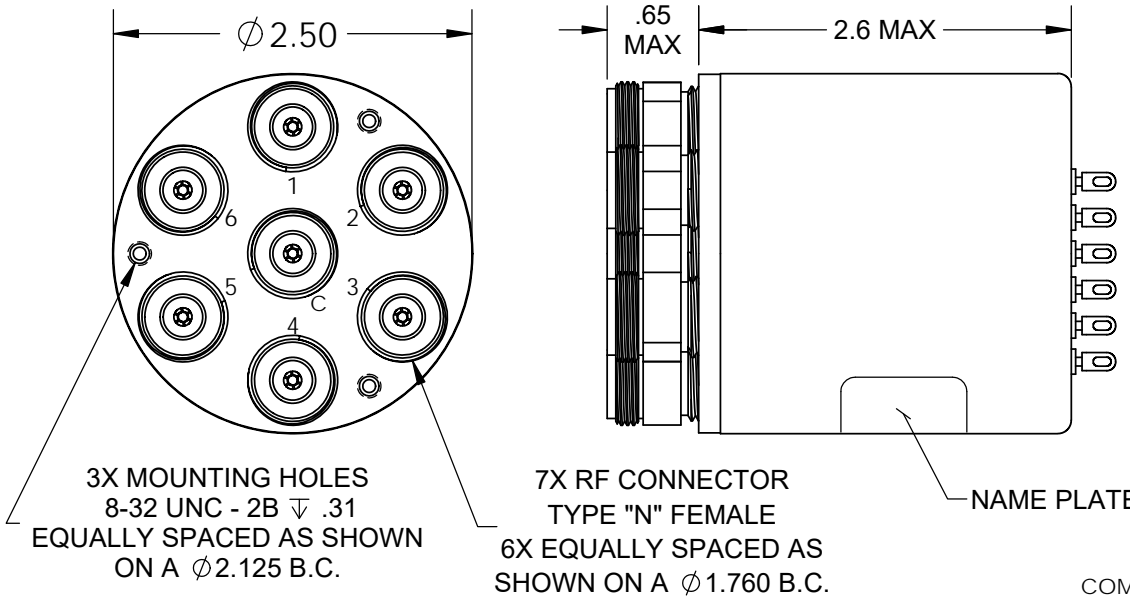


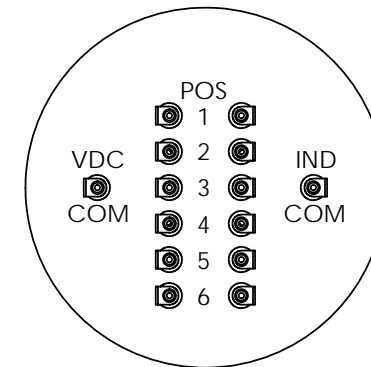


Coaxial Switch - S□C16GNF Series

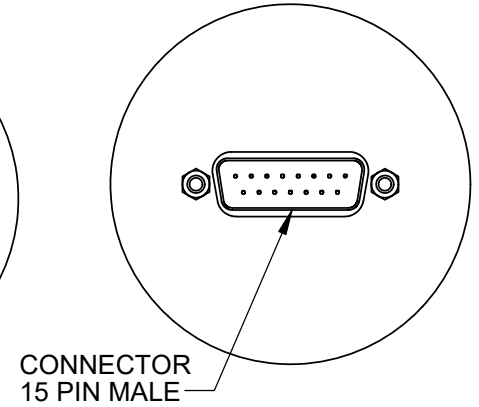
SP6T, Type "N", Normally Open, 1 Set Indicators



OPTION 1 - SOLDER TERMINALS



OPTION 4 - D-SUB



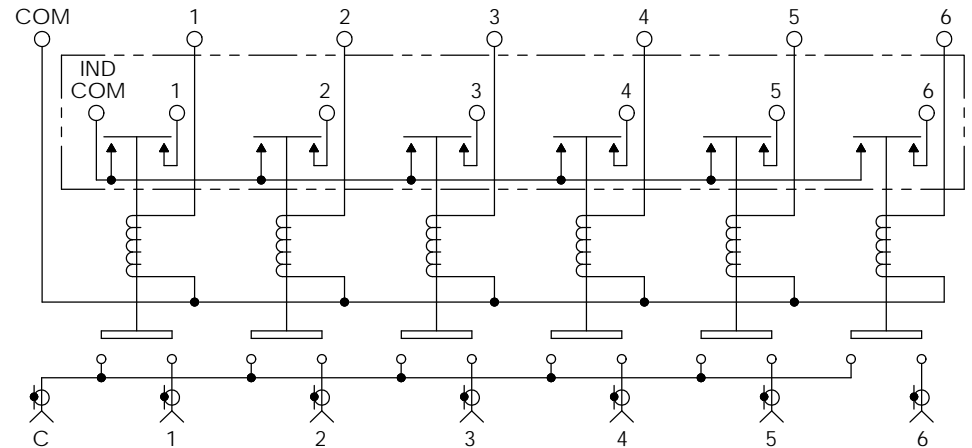
Frequency (GHz):	DC to 3.0	3.0 to 8.0	8.0 to 12.4
VSWR (Max):	1.2:1	1.35:1	1.5:1
Insertion Loss (Max):	0.2 dB	0.35 dB	0.5 dB
Isolation (Min):	80 dB Min.	70 dB Min.	60 dB Min.
Power (Max):	300 WCW	200 WCW	150 WCW

RF Impedance: 50 ohms
 Voltage: See Table
 Current: See Table
 Switching Time: 20 mS Max.

Material: Aluminum (RF Assy)
 RF Contacts: Break Before Make
 Finish: Iridite per MIL-DTL-5541, Type II Class 3
 Cover Black

STANDARD - 1 SET INDICATORS

OPTION A - NO INDICATORS



SCHEMATIC SHOWN IN NORMALLY OPEN POSITION (DE ENERGIZED)

STYLE	ENVIRONMENT	OPERATING TEMPERATURE	NON-OPERATING TEMPERATURE	HUMIDITY
SO	SHELTERED	0°C to +70°C	-40°C to +100°C	0 to 95%
SW	OUTDOOR	-40°C to +85°C	-55°C to +100°C	0 to 100%
SA	AIRBORNE	-54°C to +85°C	-55°C to +100°C	0 to 100%

OPTION	VOLTAGE	CURRENT @ 20° C
8	11 TO 13 VDC	260 mA Max @ 12 VDC
9	14 TO 16 VDC	260 mA Max @ 15 VDC
7	22 TO 26 VDC	225 mA Max @ 24 VDC
2	26 TO 30 VDC	240 mA Max @ 28 VDC

Model # ex. S□C16GNF □ □ □ □
 Style Voltage Indicators Interface