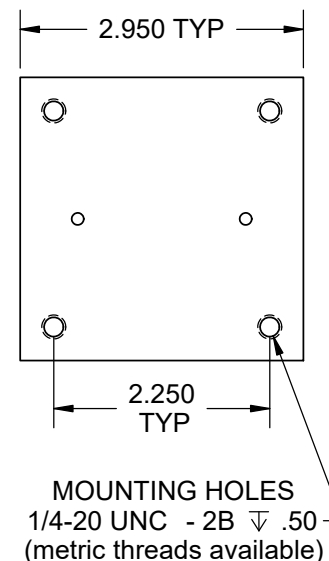
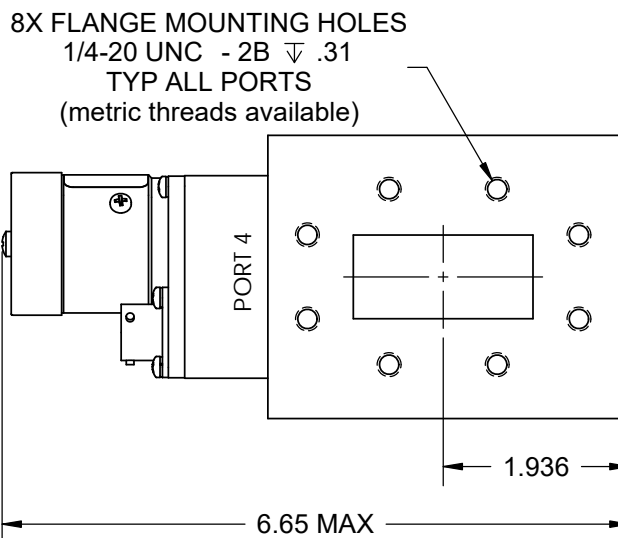
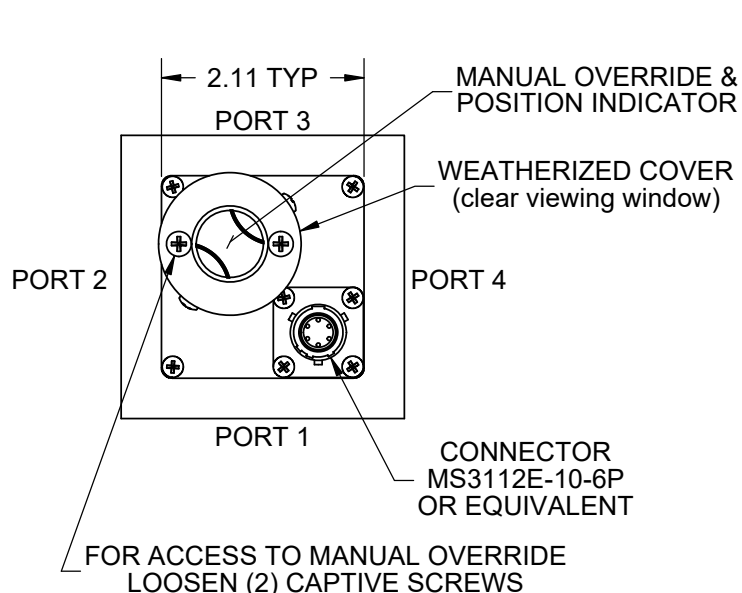




# Waveguide Switch - MW Series - WR187 CPR



Frequency: 3.95 to 5.85 GHz  
 VSWR: 1.05:1 Max.  
 Insertion Loss: 0.02 dB Max.  
 Isolation: 80 dB Min.

Flange: See Flange Table  
 Voltage: See Voltage Table  
 Switching Time: 150 mS Max.

Material: Aluminum (RF Assy)  
 Finish: Iridite per MIL-DTL-5541  
 Paint Dull Black Enamel  
 Pressure: 30 PSIG (RF Head Only)  
 Drive: Patented Logus I Motor

Temp: Operating: -40°C to +85°C  
 Non-Operating: -55°C to +100°C  
 Humidity: 0 to 100%, Fully Weatherized

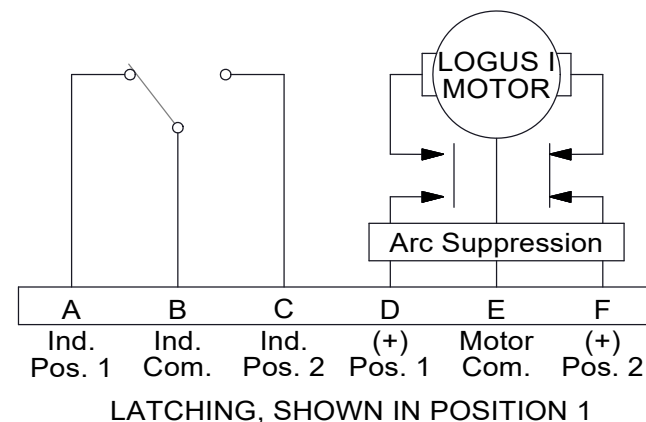
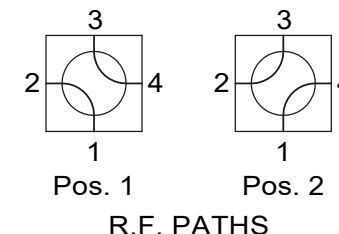
(See Model # Chart to select options)

ELECTRICAL CIRCUIT OPTIONS
NO INDICATORS
1 SET INDICATORS
2 SETS INDICATORS
3 SETS INDICATORS
4 SETS INDICATORS
INHIBIT CIRCUITS

DRIVE OPTIONS
LATCHING
PULSE LATCHING
FAILSAFE
TTL

VOLTAGE OPTIONS
12 VDC
15 VDC
24 VDC
28 VDC
48 VDC
115 VAC

FLANGE OPTIONS
CPR-FLAT
CPR-GROOVE



(See Schematic page for optional Electrical Circuits)