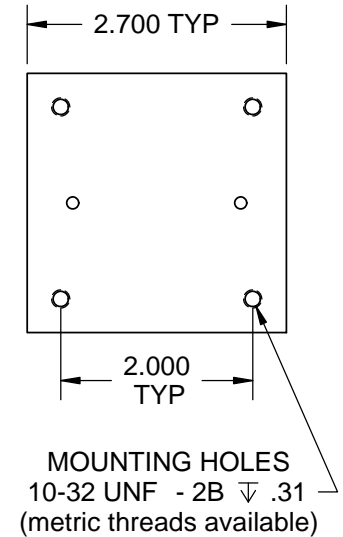
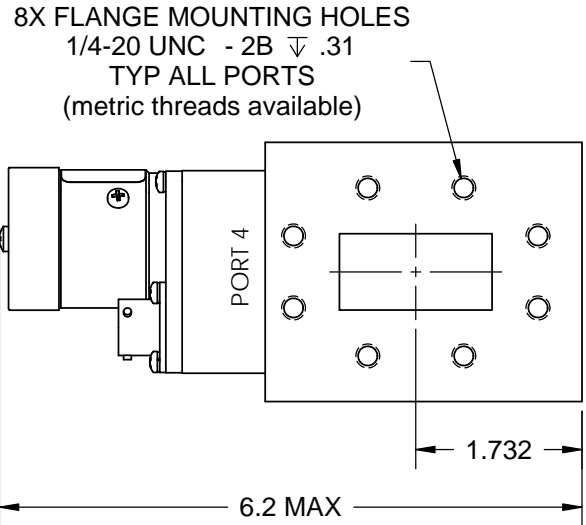
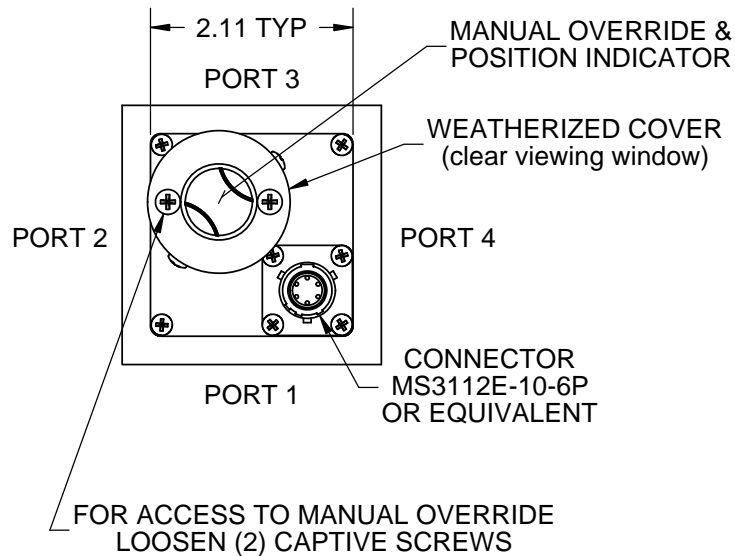




# Waveguide Switch - MW Series - WR159 CPR



Frequency: 4.9 to 7.05 GHz  
VSWR: 1.10:1 Max.  
Insertion Loss: 0.02 dB Max.  
Isolation: 70 dB Min.

Flange: See Flange Table  
Voltage: See Voltage Table  
Switching Time: 150 mS Max.

Material: Aluminum (RF Assy)  
Finish: Iridite per MIL-DTL-5541  
Paint Dull Black Enamel  
Pressure: 30 PSIG (RF Head Only)  
Drive: Patented Logus I Motor

Temp: Operating: -40°C to +85°C  
Non-Operating: -55°C to +100°C  
Humidity: 0 to 100%, Fully Weatherized

RoHS Available

ELECTRICAL CIRCUIT OPTIONS
NO INDICATORS
1 SET INDICATORS
2 SETS INDICATORS
3 SETS INDICATORS
4 SETS INDICATORS
INHIBIT CIRCUITS

DRIVE OPTIONS
LATCHING
PULSE LATCHING
FAILSAFE
TTL

VOLTAGE OPTIONS
12 VDC
15 VDC
24 VDC
28 VDC
48 VDC
115 VAC
230 VAC

FLANGE OPTIONS
CPR-FLAT
CPR-GROOVE

