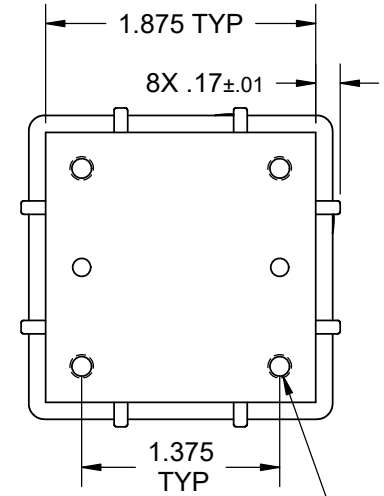
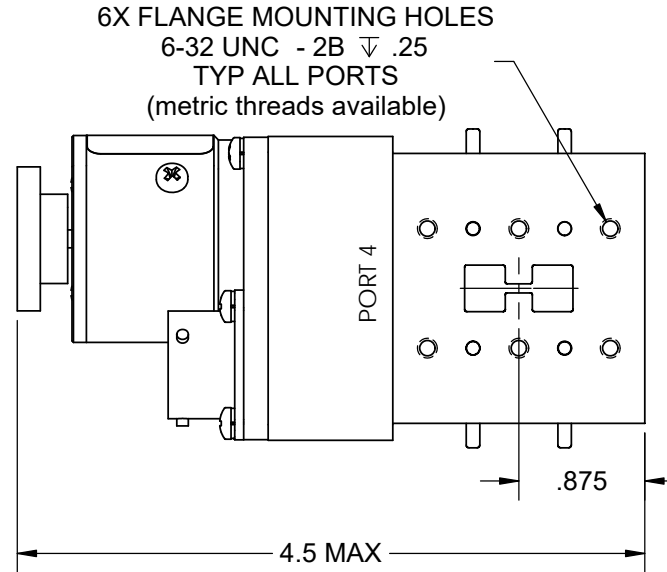
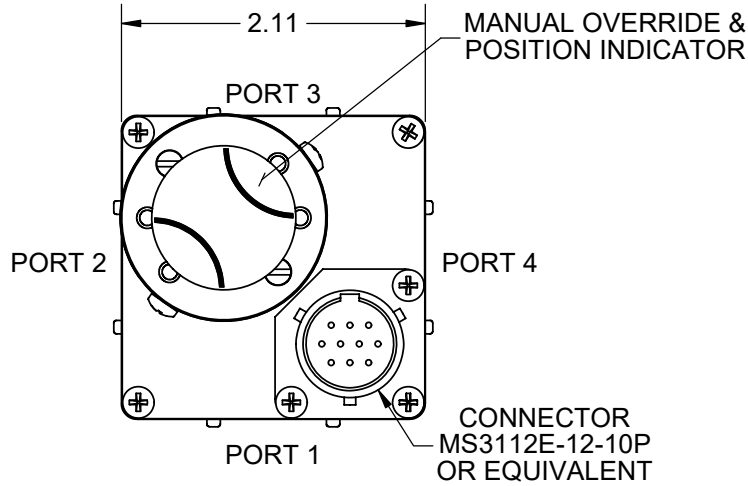




Ridgeguide Switch - MM Series - TTL - WRD500



MOUNTING HOLES
8-32 UNC - 2B ∇ .31
(metric threads available)

Operating Notes:

- Active logic switch command duration must be greater than 100 mS.
- Maximum switching rate not to exceed 30 per minute.
- Supply to Pin D (Pos. 1) or Pin F (Pos. 2) is 3.0 to 5.5 Vdc. Current draw is 5 mA @ 5 Vdc.

Frequency: 5.0 to 18.0 GHz
VSWR: 1.20:1 Max.
Insertion Loss: 0.35 dB Max.
Isolation: 60 dB Min.

Flange: See Flange Table
Voltage: See Voltage Table
Switching Time: 100 mS Max.

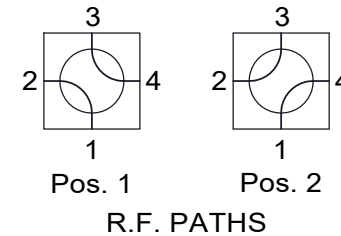
Material: Aluminum (RF Assy)
Finish: Iridite per MIL-DTL-5541
Paint Dull Black Enamel
Pressure: 30 PSIG (RF Head Only)
Drive: Patented Logus I Motor

Temp: Operating: -40°C to +85°C
Non-Operating: -55°C to +100°C
Humidity: 0 to 95%, No Condensation

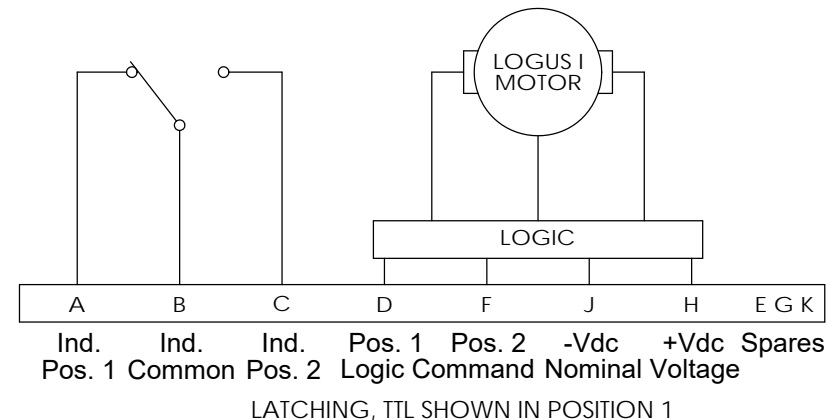
(See Model # Chart to select options)

ELECTRICAL CIRCUIT OPTIONS	
NO INDICATORS	
1 SET INDICATORS	
2 SETS INDICATORS	
3 SETS INDICATORS	
4 SETS INDICATORS	
INHIBIT CIRCUITS	

FLANGE OPTIONS	
COVER	
GROOVE	



DRIVE OPTIONS		VOLTAGE OPTIONS	
LATCHING		12 VDC	
PULSE LATCHING		15 VDC	
FAILSAFE		24 VDC	
		28 VDC	
		48 VDC	
		115 VAC	



(See Schematic page for optional Electrical Circuits)