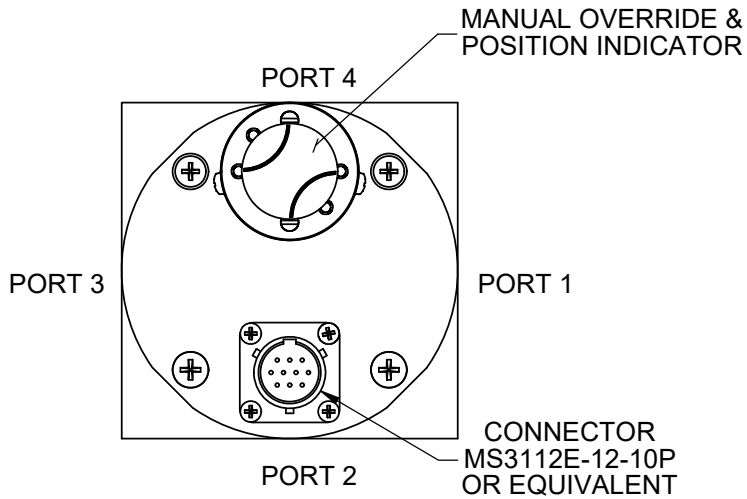


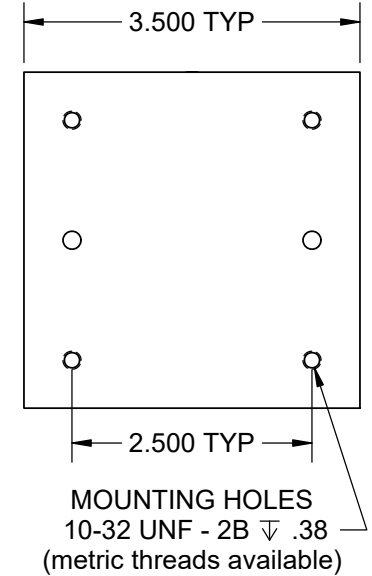
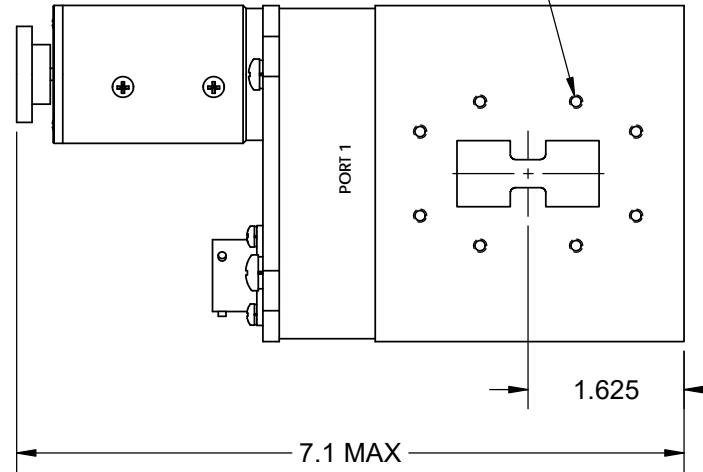


# Ridgeguide Switch - MM Series - TTL - WRD350

REV. A



8X FLANGE MOUNTING HOLES  
6-32 UNC - 2B  $\nabla$  .31  
TYP ALL PORTS  
(metric threads available)



Operating Notes:

- Active logic switch command duration must be greater than 100 mS.
- Maximum switching rate not to exceed 30 per minute.
- Supply to Pin D (Pos. 1) or Pin F (Pos. 2) is 3.0 to 5.5 Vdc. Current draw is 5 mA @ 5 Vdc.

Frequency: 4.0 to 8.0 GHz  
VSWR: 1.15:1 Max.  
Insertion Loss: 0.5 dB Max.  
Isolation: 40 dB Min.

Flange: See Flange Table  
Voltage: See Voltage Table  
Switching Time: 250 mS Max.

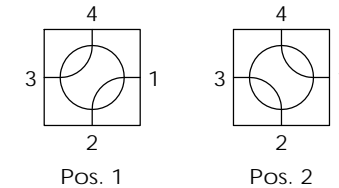
Material: Aluminum (RF Assy)  
Finish: Iridite per MIL-DTL-5541  
Paint Dull Black Enamel  
Pressure: 30 PSIG (RF Head Only)  
Drive: Patented Logus Motor

Temp: Operating: -40 °C to +85 °C  
Non-Operating: -55 °C to +100 °C  
Humidity: 0 to 95%, No Condensation

(See Model # Chart to select options)

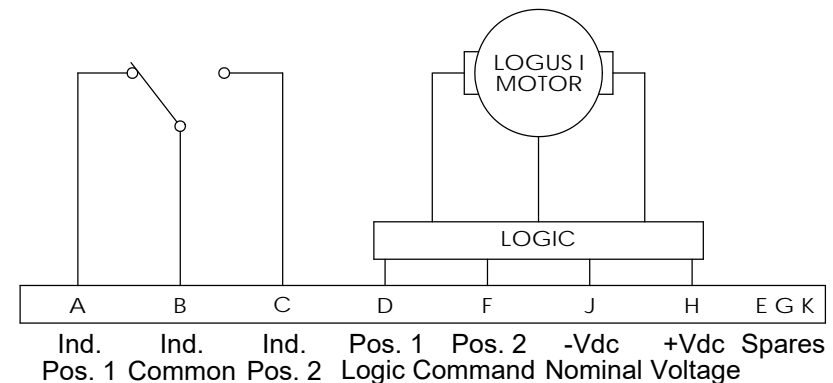
ELECTRICAL CIRCUIT OPTIONS
NO INDICATORS
1 SET INDICATORS
2 SETS INDICATORS
3 SETS INDICATORS
4 SETS INDICATORS
INHIBIT CIRCUITS

FLANGE OPTIONS
COVER
GROOVE



R.F. PATHS

DRIVE OPTIONS	VOLTAGE OPTIONS
LATCHING	12 VDC
PULSE LATCHING	15 VDC
FAILSAFE	24 VDC
	28 VDC
	48 VDC
	115 VAC



LATCHING, TTL SHOWN IN POSITION 1

(See Schematic page for optional Electrical Circuits)