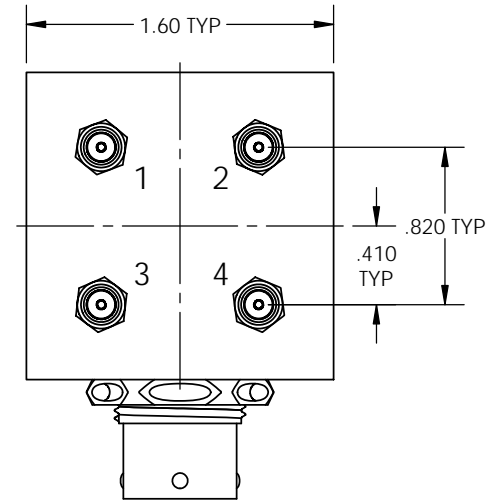
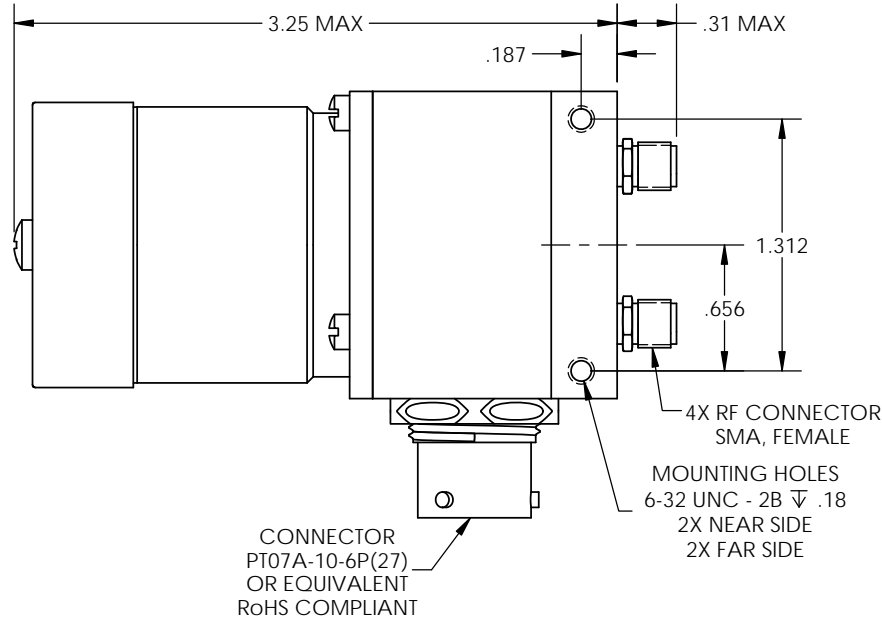
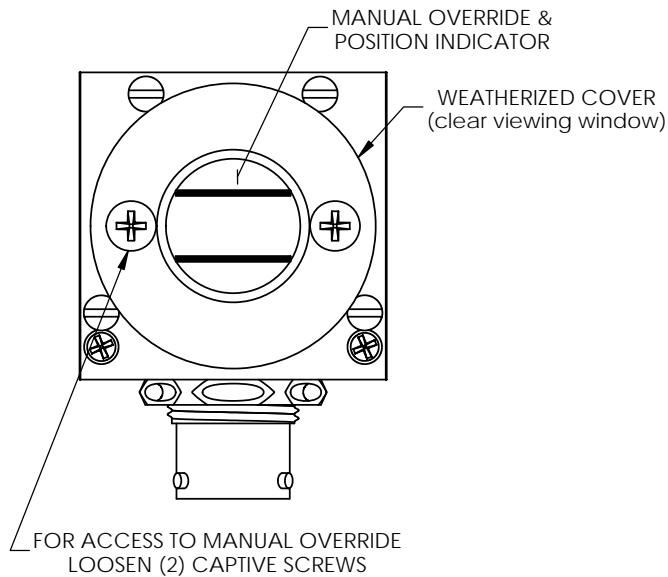




Coaxial Switch - LWC224FML Series DPDT, SMA, Latching, 1 Set Indicators



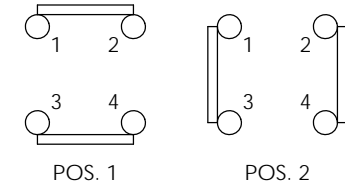
Frequency (GHz):	DC to 3.0	3.0 to 8.0	8.0 to 12.4	12.4 to 18.0
VSWR (Max):	1.2:1	1.3:1	1.4:1	1.5:1
Insertion Loss (Max):	0.2 dB	0.3 dB	0.4 dB	0.5 dB
Isolation (Min):	80 dB Min.	70 dB Min.	60 dB Min.	60 dB Min.
Power (Max):	100 WCW	75 WCW	60 WCW	45 WCW

RF Impedance: 50 ohms
 Voltage: See Table
 Current: See Table
 Switching Time: 60 mS Max.

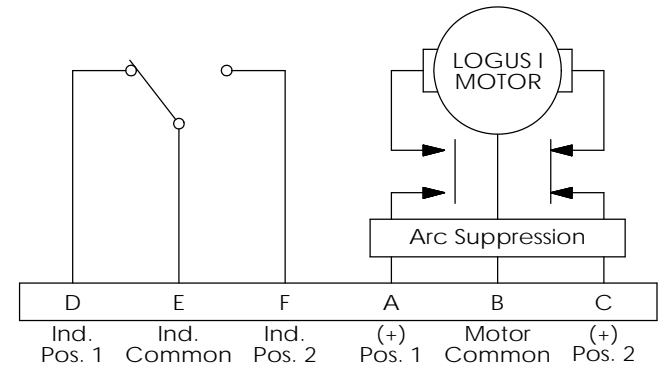
Material: Aluminum (RF Assy)
 RF Contacts: Break Before Make
 Finish: Iridite per MIL-DTL-5541, Type II Class 3
 Paint Dull Black Enamel

Temperature: Operating: -40 °C to +85 °C
 Non-Operating: - 55 °C to +100 °C
 Humidity: 0 to 100%, Fully Weatherized

OPTION	VOLTAGE	CURRENT
8	12 VDC	1.0 AMP
9	15 VDC	1.0 AMP
7	24 VDC	1.0 AMP
2	28 VDC	1.0 AMP



SWITCH POSITIONS



LATCHING, SHOWN IN POSITION 1

RoHS Compliant

Model # ex. LWC224FML 2 5
 Voltage