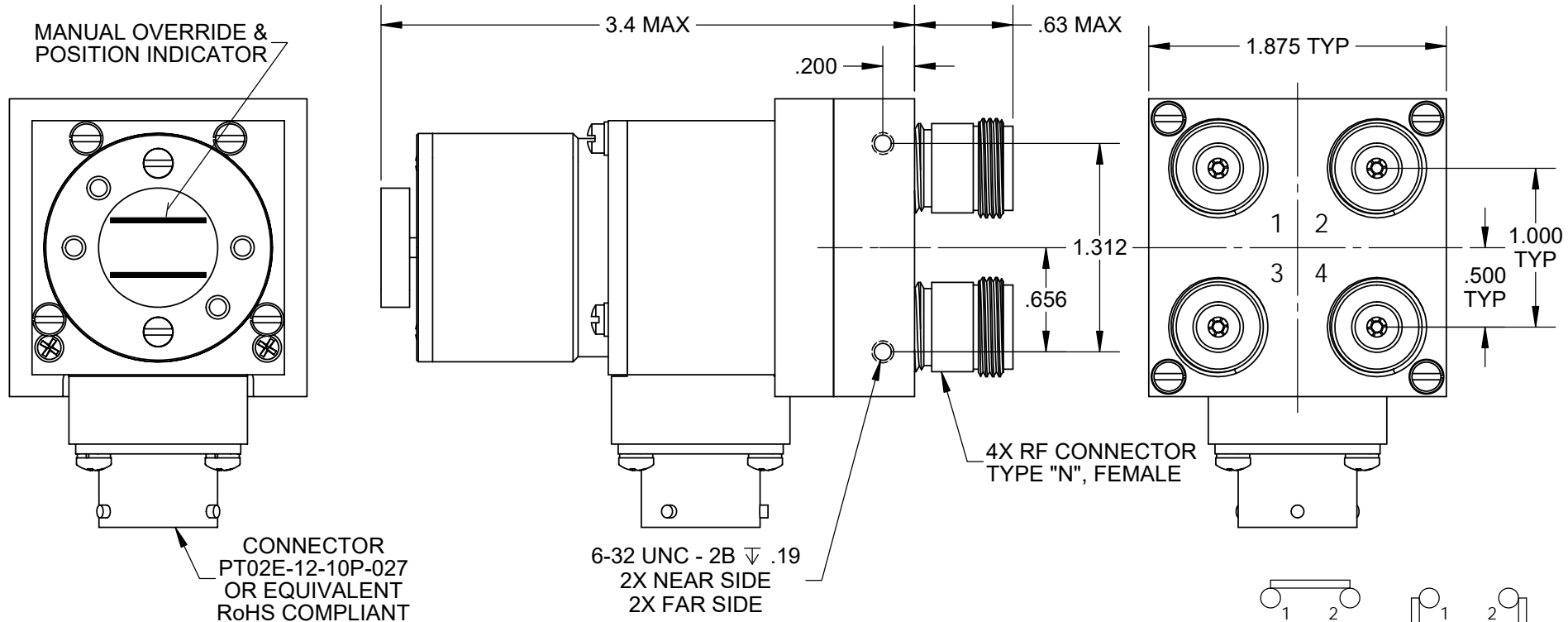




Coaxial Switch - LMTC224ANL Series

DPDT, TTL, TYPE "N", Latching, 1 Set Indicators

REV. A



Frequency (GHz):	DC to 1.0	1.0 to 3.0	3.0 to 8.4
VSWR (Max):	1.15:1	1.30:1	1.40:1
Insertion Loss (Max):	0.15 dB	0.30 dB	0.4 dB
Isolation (Min):	80 dB Min.	70 dB Min.	60 dB Min.
Power (Max):	250 WCW	150 WCW	60 WCW

RF Impedance: 50 ohms
 Voltage: See Table
 Current: See Table
 Switching Time: 60 mS Max.

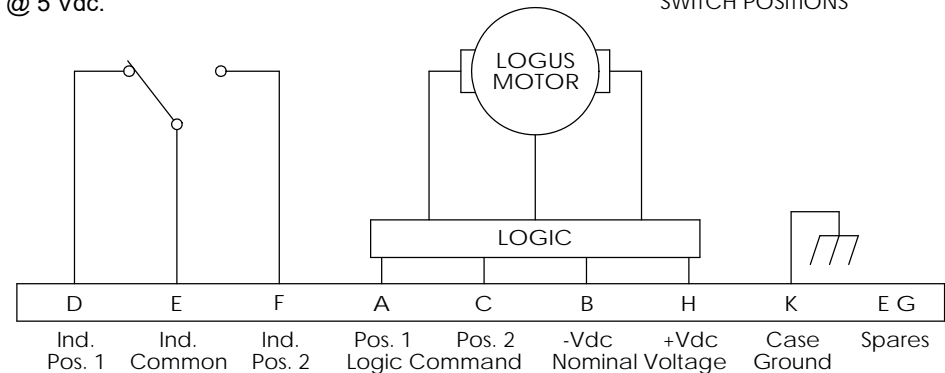
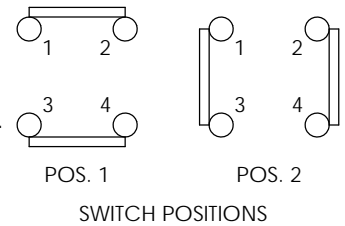
Material: Aluminum (RF Assy)
 RF Contacts: Break Before Make
 Finish: Iridite per MIL-DTL-5541, Type II Class 3
 Paint Dull Black Enamel

Temperature: Operating: -10°C to +71°C
 Non-Operating: -55°C to +100°C
 Humidity: 0 to 95%, No Condensation

RoHS Compliant

Operating Notes:

- Active logic switch command duration must be greater than 100 mS.
- Maximum switching rate not to exceed 30 per minute.
- Supply to pin A (Pos. 1) or Pin C (Pos. 2) is 2.4 to 5.5 Vdc. Current draw is 5 mA @ 5 Vdc.



LATCHING, TTL SHOWN IN POSITION 1

Model # ex. LMTC224ANL 2 3
 Voltage