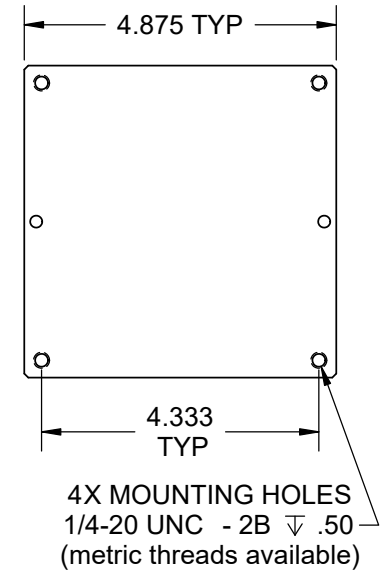
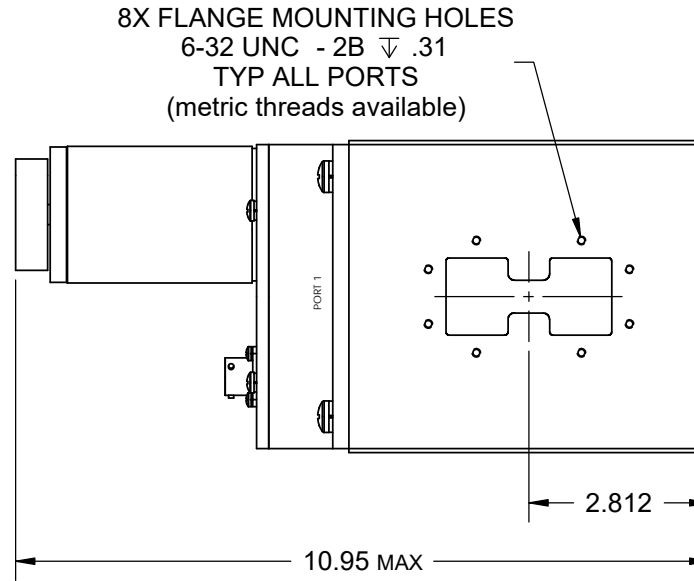
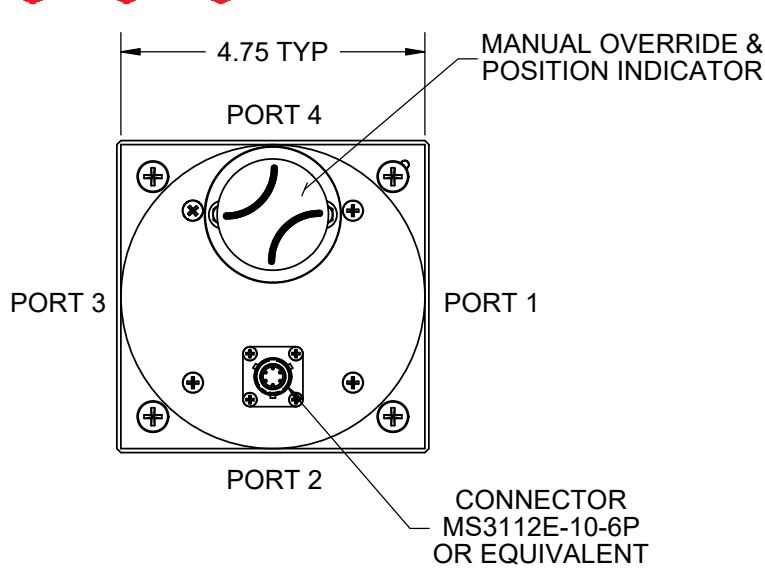




Ridgeguide Switch - LM Series - WRD200

REV. A



(See Model # Chart to select options)

Frequency: 2.0 to 4.8 GHz
VSWR: 1.15:1 Max.
Insertion Loss: 0.3 dB Max.
Isolation: 60 dB Min.

Flange: See Flange Table
Voltage: See Voltage Table
Switching Time: 200 mS Max.

Material: Aluminum (RF Assy)
Finish: Iridite per MIL-DTL-5541
Paint Dull Black Enamel
Pressure: 10 PSIG (RF Head Only)
Drive: Patented Logus Motor

Temp: Operating: -40°C to +85°C
Non-Operating: -55°C to +100°C
Humidity: 0 to 95%, No Condensation

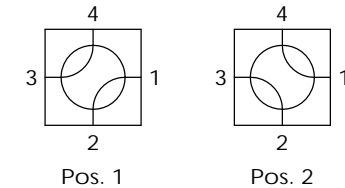
RoHS Available

ELECTRICAL CIRCUIT OPTIONS
NO INDICATORS
1 SET INDICATORS
2 SETS INDICATORS
3 SETS INDICATORS
4 SETS INDICATORS
INHIBIT CIRCUITS

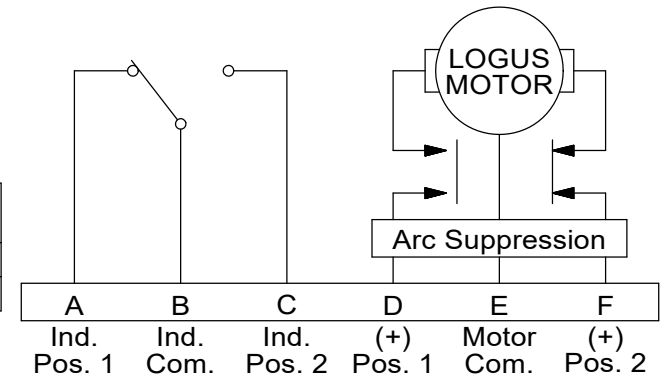
DRIVE OPTIONS
LATCHING
PULSE LATCHING
FAILSAFE

VOLTAGE OPTIONS
12 VDC
15 VDC
24 VDC
28 VDC
48 VDC
115 VAC

FLANGE OPTIONS
COVER
GROOVE



R.F. PATHS



LATCHING, SHOWN IN POSITION 1

(See Schematic page for optional Electrical Circuits)