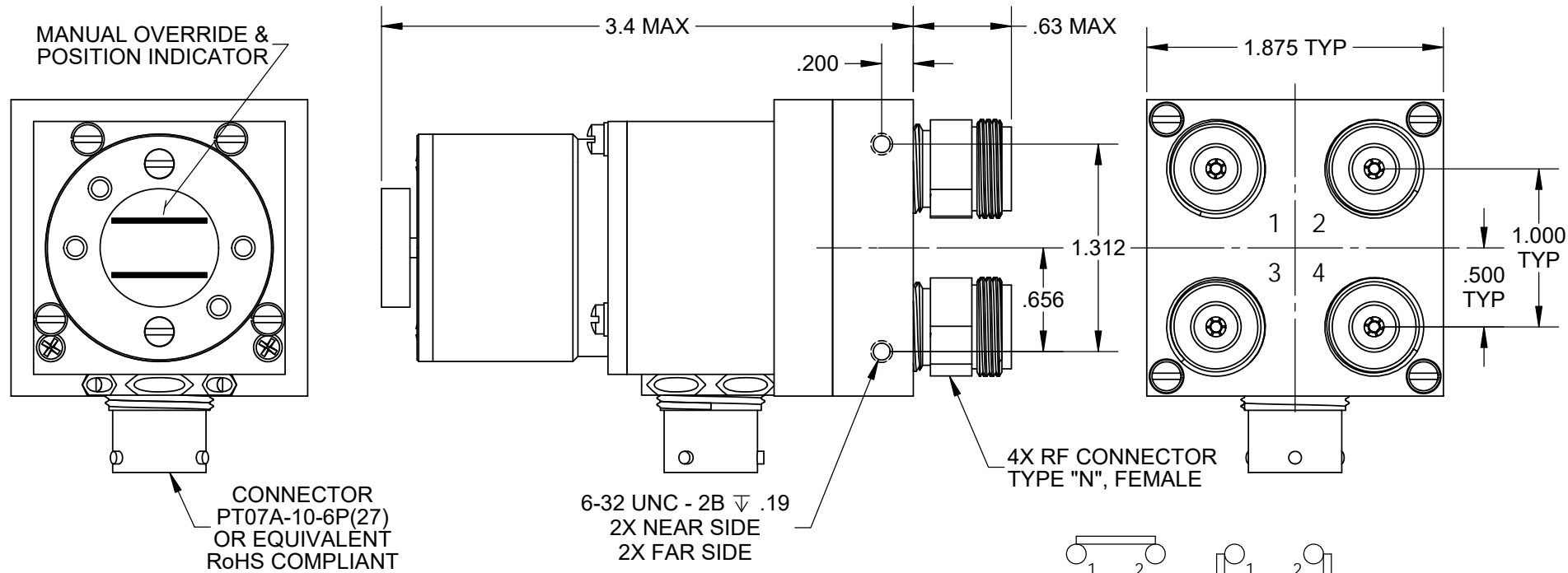




Coaxial Switch - LMC224ANL Series DPDT, TYPE "N", Latching, 1 Set Indicators

REV. A



Frequency (GHz):	DC to 1.0	1.0 to 3.0	3.0 to 8.4
VSWR (Max):	1.15:1	1.30:1	1.40:1
Insertion Loss (Max):	0.15 dB	0.30 dB	0.4 dB
Isolation (Min):	80 dB Min.	70 dB Min.	60 dB Min.
Power (Max):	250 WCW	150 WCW	60 WCW

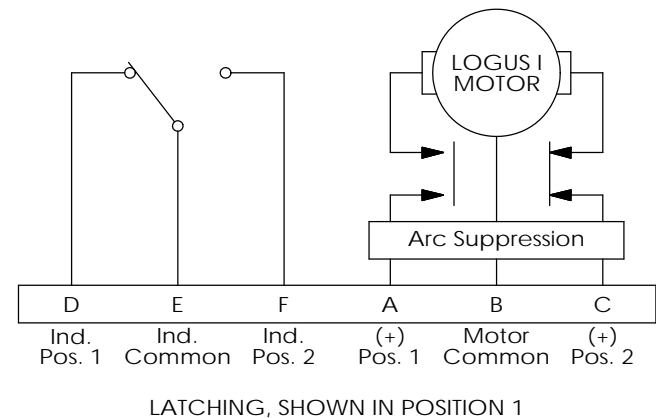
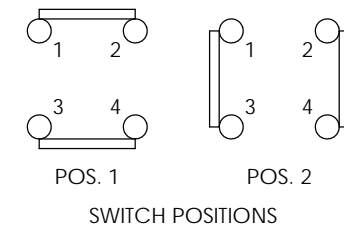
RF Impedance: 50 ohms
 Voltage: See Table
 Current: See Table
 Switching Time: 60 mS Max.

Material: Aluminum (RF Assy)
 RF Contacts: Break Before Make
 Finish: Iridite per MIL-DTL-5541, Type II Class 3
 Paint Dull Black Enamel

Temperature: Operating: -10 °C to +71 °C
 Non-Operating: - 55 °C to +100 °C
 Humidity: 0 to 95%, No Condensation

RoHS Compliant

OPTION	VOLTAGE	CURRENT
8	12 VDC	1.0 AMP
9	15 VDC	1.0 AMP
7	24 VDC	1.0 AMP
2	28 VDC	1.0 AMP



Model # ex. LMC224ANL 2 3
 Voltage