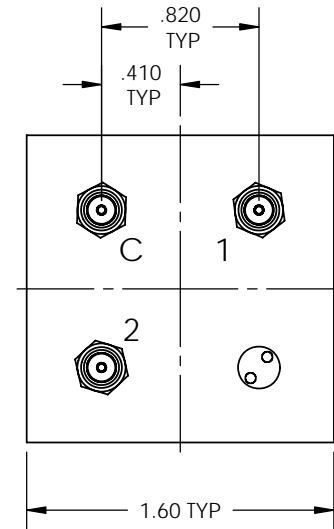
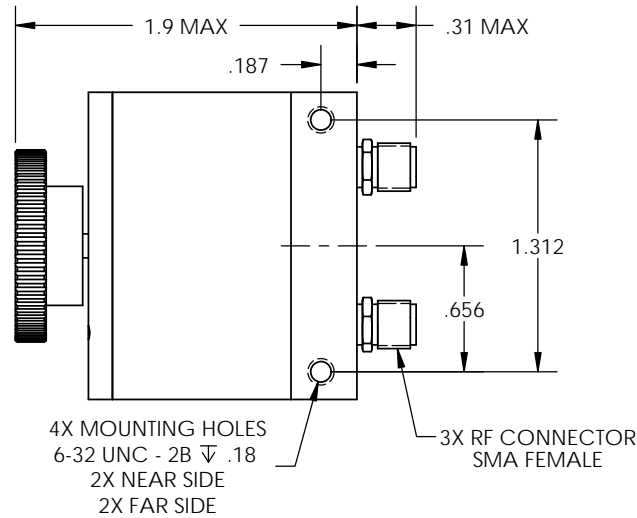
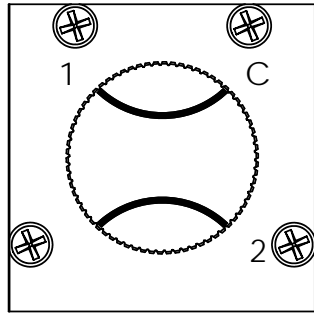


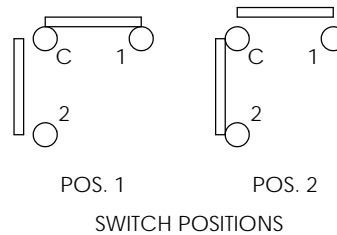


# Coaxial Switch - LMC12FMT SPDT, SMA, Manual



Frequency (GHz)	DC to 3	3 to 8	8 to 12.4	12.4 to 18
VSWR (max.)	1.2:1	1.3:1	1.4:1	1.5:1
Insertion Loss (max.)	0.2 dB	0.3 dB	0.4 dB	0.5 dB
Isolation (min.)	80 dB	70 dB	60 dB	60 dB
Power (max.)	100 WCW	75 WCW	60 WCW	45 WCW

RF Impedance: 50 ohms  
 Material: Aluminum (RF Assy)  
 RF Contacts: Break Before Make  
 Finish: Iridite per MIL-DTL-5541, Type II Class 3  
 Paint Dull Black Enamel  
 Temperature: Operating -10°C to +71°C  
 Non-Operating -55°C to +100°C  
 Humidity: 0 to 95% , No-Condensation



RoHS Compliant