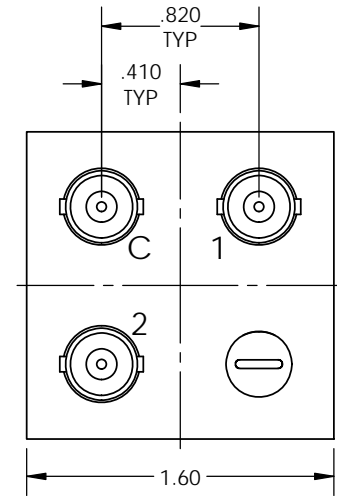
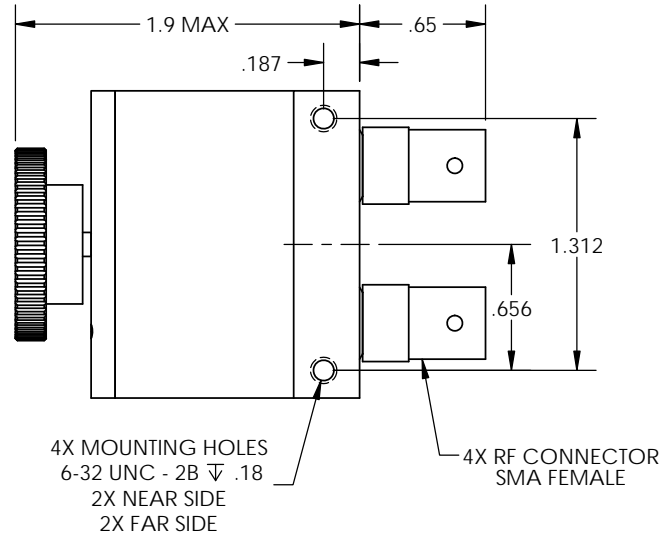
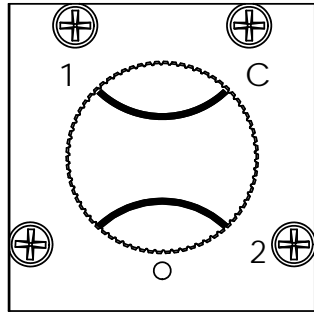


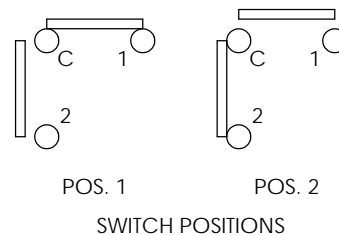


# Coaxial Switch - LMC12FBT SPDT, BNC, Manual



Frequency (MHz)	DC to 400	400 to 600	600 to 800	800 to 1000
VSWR (max.)	1.07:1	1.07:1	1.15:1	1.3:1
Insertion Loss (max.)	0.07 dB	0.10 dB	0.12 dB	0.15 dB
Isolation (min.)	80 dB	70 dB	70 dB	70 dB
Power (max.)	150 WCW	75 WCW	65 WCW	50 WCW

RF Impedance: 50 ohms  
 Material: Aluminum (RF Assy)  
 RF Contacts: Break Before Make  
 Finish: Iridite per MIL-DTL-5541, Type II Class 3  
 Paint Dull Black Enamel  
 Temperature: Operating -10°C to +71°C  
 Non-Operating -55°C to +100°C  
 Humidity: 0 to 95% , No-Condensation



RoHS Compliant