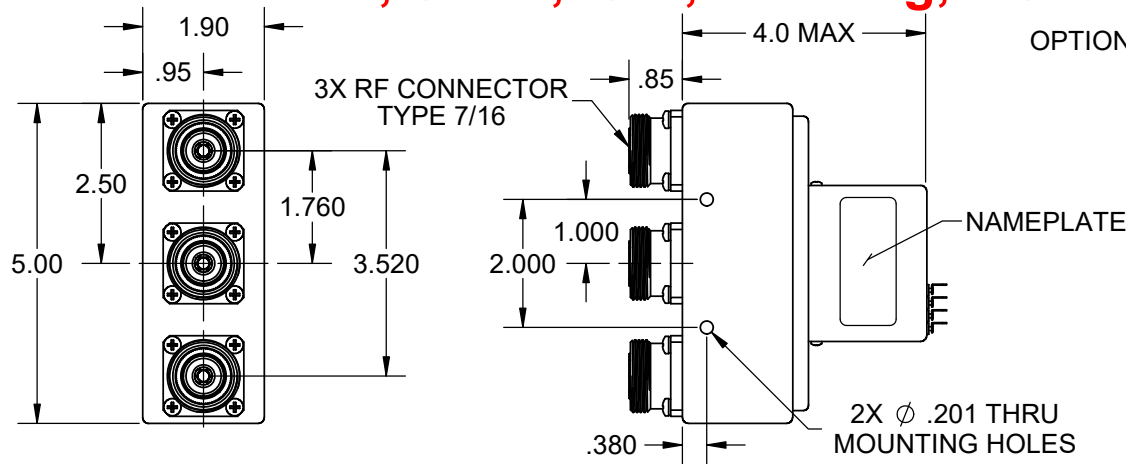




# Coaxial Switch - H□ TC12HQL Series

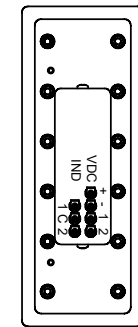
## TTL, SPDT, 7/16, Latching, 1 Set Indicators

REV. A

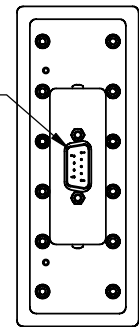


OPTION 1 - SOLDER TERMINALS

OPTION 4 - D-SUB



CONNECTOR 9 PIN MALE

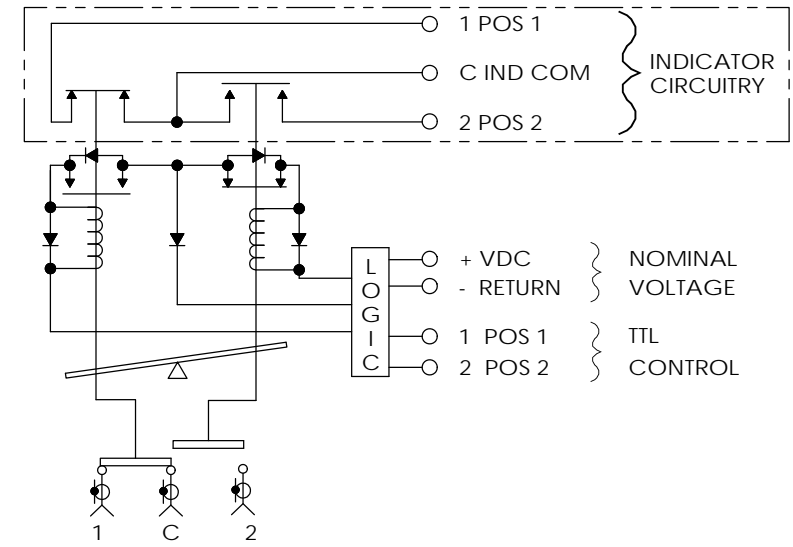


STANDARD - 1 SET INDICATORS

OPTION A - NO INDICATORS

Frequency }  
VSWR }  
Insertion Loss }  
Isolation }  
Power }  
} CONSULT FACTORY  
} WITH YOUR  
} REQUIREMENTS

RF Impedance: 50 ohms  
Voltage: See Table  
Current: See Table  
TTL Logic:  
Voltage High: 3.0 to 5.5 VDC  
Current High: 5 mA max. @ 5 VDC  
Switching Time: 50 mS max.  
Material: Aluminum (RF Assy)  
RF Contacts: Break Before Make  
Finish: Iridite per MIL-DTL-5541, Type II Class 3  
Cover Black



SCHEMATIC DIAGRAM SHOWN IN POSITION 1

STYLE	ENVIRONMENT	OPERATING TEMPERATURE	NON-OPERATING TEMPERATURE	HUMIDITY
HO	SHELTERED	0 °C to +70 °C	-40 °C to +100 °C	0 to 95%
HW	OUTDOOR	-40 °C to +85 °C	-55 °C to +100 °C	0 to 100%
HA	AIRBORNE	-54 °C to +85 °C	-55 °C to +100 °C	0 to 100%

OPTION	VOLTAGE	CURRENT @ 20° C
8	10 TO 14 VDC	300 mA Max @ 12 VDC
9	13 TO 18 VDC	200 mA Max @ 15 VDC
7	21 TO 28 VDC	250 mA Max @ 24 VDC
2	25 TO 32 VDC	180 mA Max @ 28 VDC

Model # ex. H□ TC12HQL 2 A 1  
 | | |  
 Style Voltage Indicators Interface