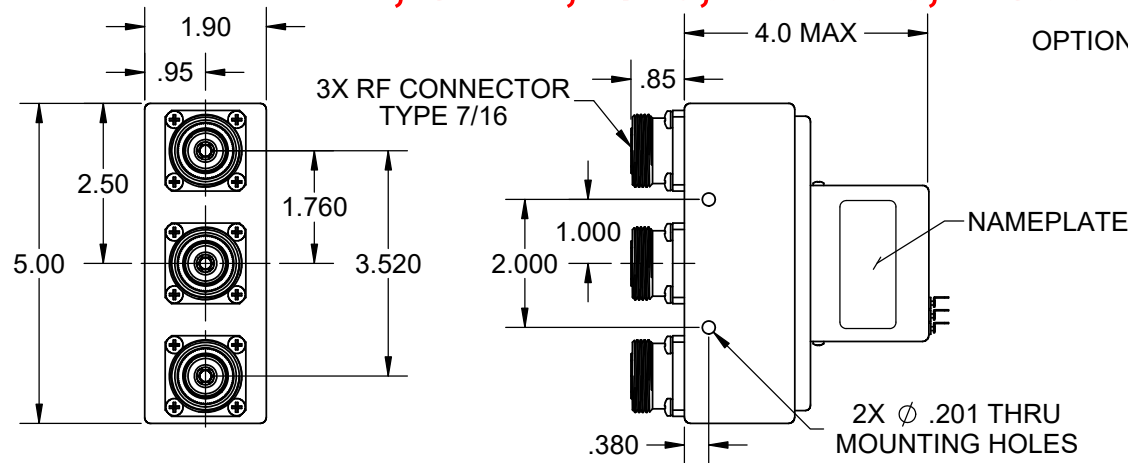




Coaxial Switch - H□ TC12HQF Series

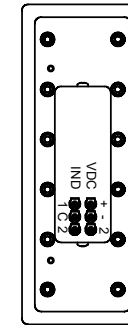
TTL, SPDT, 7/16, Failsafe, 1 Set Indicators

REV. A

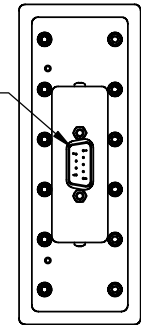


OPTION 1 - SOLDER TERMINALS

OPTION 4 - D-SUB



CONNECTOR 9 PIN MALE



Frequency
VSWR
Insertion Loss
Isolation
Power

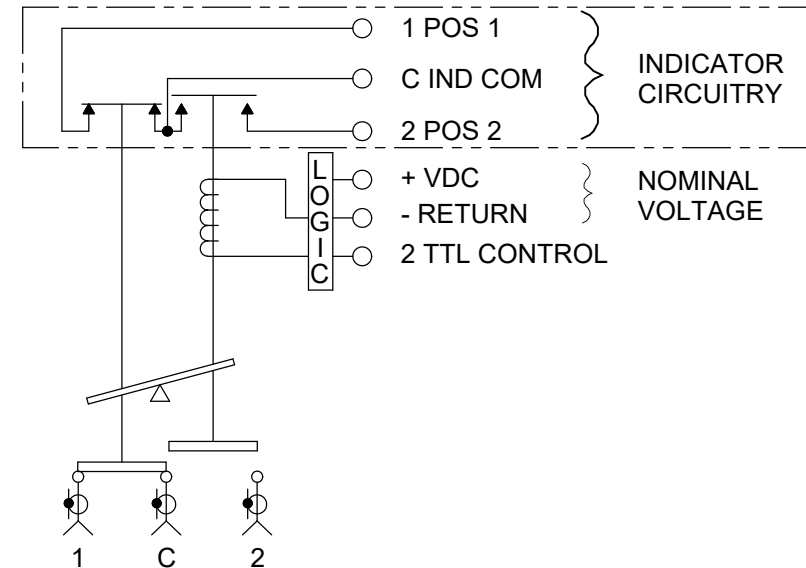
CONSULT FACTORY WITH YOUR REQUIREMENTS

RF Impedance:
Voltage:
Current:
TTL Logic:
Voltage High:
Current High:
Switching Time:
Material:
RF Contacts:
Finish:

50 ohms
See Table
See Table
3.0 to 5.5 VDC
5 mA max. @ 5 VDC
50 mS max.
Aluminum (RF Assy)
Break Before Make
Iridite per MIL-DTL-5541, Type II Class 3
Cover Black

STYLE	ENVIRONMENT	OPERATING TEMPERATURE	NON-OPERATING TEMPERATURE	HUMIDITY
HO	SHELTERED	0 °C to +70 °C	-40 °C to +100 °C	0 to 95%
HW	OUTDOOR	-40 °C to +85 °C	-55 °C to +100 °C	0 to 100%
HA	AIRBORNE	-54 °C to +85 °C	-55 °C to +100 °C	0 to 100%

STANDARD - 1 SET INDICATORS OPTION A - NO INDICATORS



SCHEMATIC DIAGRAM SHOWN IN FAILSAFE POSITION 1

OPTION	VOLTAGE	CURRENT @ 20° C
8	11 TO 13 VDC	300 mA Max @ 12 VDC
9	14 TO 16 VDC	250 mA Max @ 15 VDC
7	22 TO 26 VDC	250 mA Max @ 24 VDC
2	26 TO 30 VDC	280 mA Max @ 28 VDC

Model # ex. H□ TC12HQF [2] [A] [1]
Style Voltage Indicators Interface