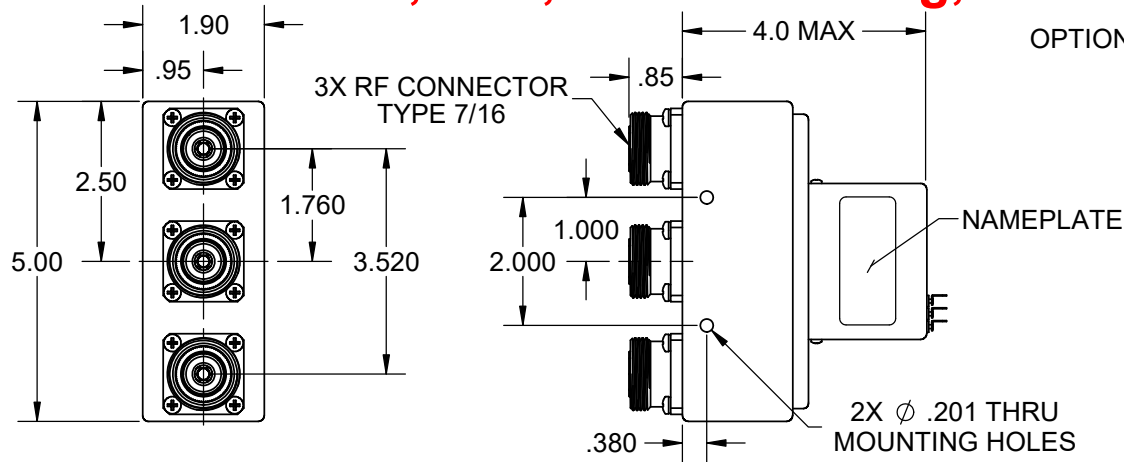




# Coaxial Switch - H□C12HQP Series

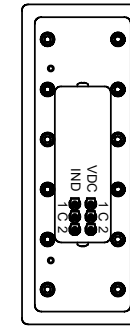
## SPDT, 7/16, Pulse Latching, 1 Set Indicators

REV. A

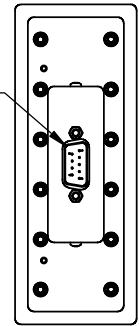


OPTION 1 - SOLDER TERMINALS

OPTION 4 - D-SUB



CONNECTOR 9 PIN MALE



STANDARD - 1 SET INDICATORS

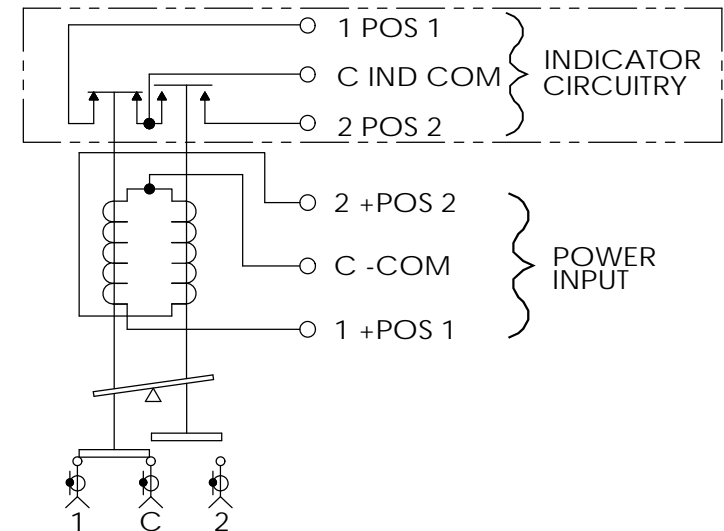
OPTION A - NO INDICATORS

Frequency  
 VSWR  
 Insertion Loss  
 Isolation  
 Power

CONSULT FACTORY WITH YOUR REQUIREMENTS

RF Impedance: 50 ohms  
 Voltage: See Table  
 Current: See Table  
 Switching Time: 50 mS max.  
 Pulse Duration: 50 mS Nominal  
 Material: Aluminum (RF Assy)  
 RF Contacts: Break Before Make  
 Finish: Iridite per MIL-DTL-5541, Type II Class 3  
 Cover Black

STYLE	ENVIRONMENT	OPERATING TEMPERATURE	NON-OPERATING TEMPERATURE	HUMIDITY
HO	SHELTERED	0 °C to +70 °C	-40 °C to +100 °C	0 to 95%
HW	OUTDOOR	-40 °C to +85 °C	-55 °C to +100 °C	0 to 100%
HA	AIRBORNE	-54 °C to +85 °C	-55 °C to +100 °C	0 to 100%



SCHEMATIC DIAGRAM SHOWN IN POSITION 1

OPTION	VOLTAGE	CURRENT @ 20° C
8	10 TO 14 VDC	300 mA Max @ 12 VDC
9	13 TO 18 VDC	200 mA Max @ 15 VDC
7	21 TO 28 VDC	250 mA Max @ 24 VDC
2	25 TO 32 VDC	180 mA Max @ 28 VDC

Model # ex. H□C12HQP [2] [A] [1]  
 Style Voltage Indicators Interface