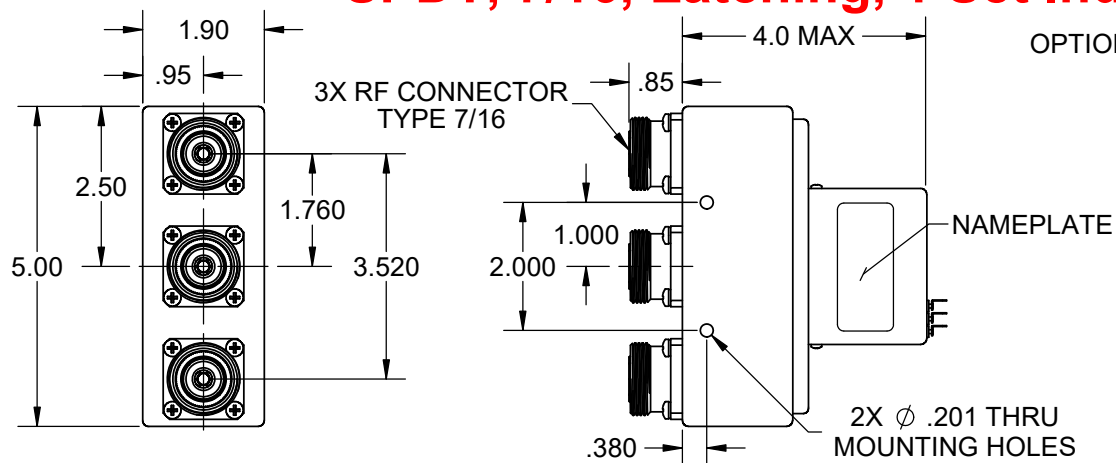




Coaxial Switch - H□C12HQL Series

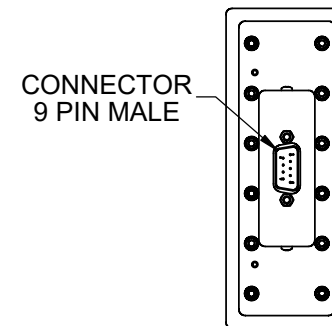
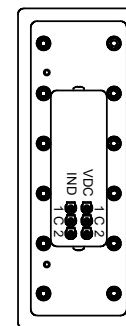
SPDT, 7/16, Latching, 1 Set Indicators

REV. A



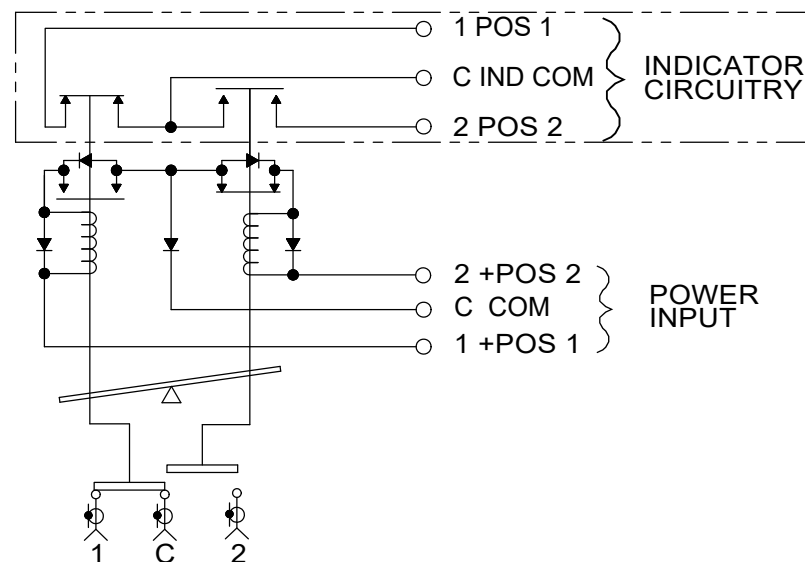
OPTION 1 - SOLDER TERMINALS

OPTION 4 - D-SUB



STANDARD - 1 SET INDICATORS

OPTION A - NO INDICATORS



SCHEMATIC DIAGRAM SHOWN IN POSITION 1

Frequency
VSWR
Insertion Loss
Isolation
Power

CONSULT FACTORY WITH YOUR REQUIREMENTS

RF Impedance: 50 ohms
Voltage: See Table
Current: See Table
Switching Time: 50 mS max.
Material: Aluminum (RF Assy)
RF Contacts: Break Before Make
Finish: Iridite per MIL-DTL-5541, Type II Class 3
Cover Black

STYLE	ENVIRONMENT	OPERATING TEMPERATURE	NON-OPERATING TEMPERATURE	HUMIDITY
HO	SHELTERED	0 °C to +70 °C	-40 °C to +100 °C	0 to 95%
HW	OUTDOOR	-40 °C to +85 °C	-55 °C to +100 °C	0 to 100%
HA	AIRBORNE	-54 °C to +85 °C	-55 °C to +100 °C	0 to 100%

OPTION	VOLTAGE	CURRENT @ 20° C
8	10 TO 14 VDC	300 mA Max @ 12 VDC
9	13 TO 18 VDC	200 mA Max @ 15 VDC
7	21 TO 28 VDC	250 mA Max @ 24 VDC
2	25 TO 32 VDC	180 mA Max @ 28 VDC

Model # ex. H□C12HQL [2] [A] [1]
Style Voltage Indicators Interface