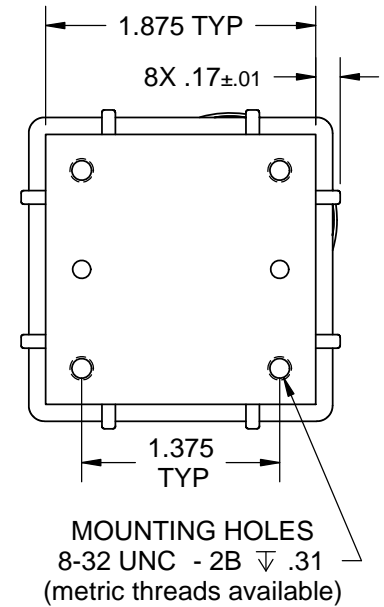
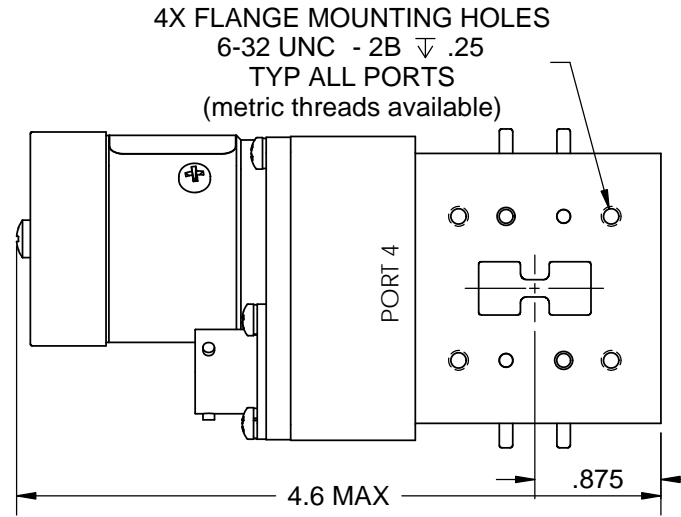
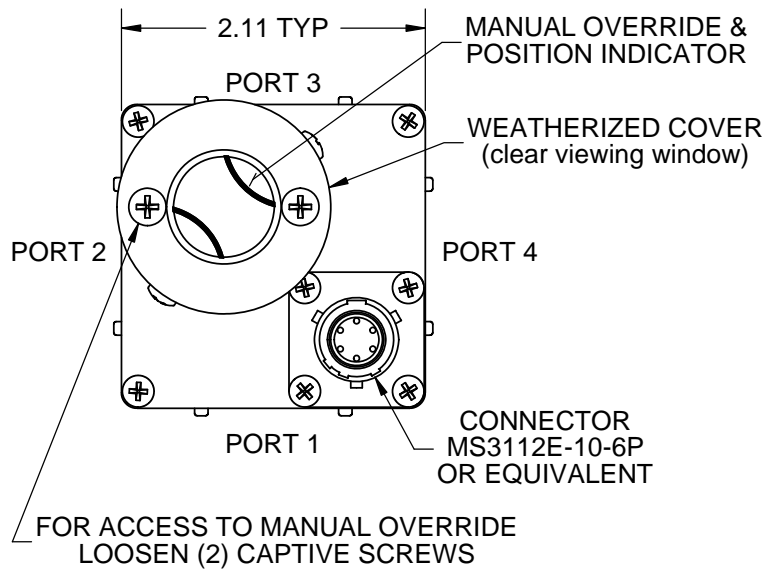




# Waveguide Switch - LW Series - WRD580

REV. C



Frequency GHz:	C-Band 5.8 to 6.4	X-Band 7.9 to 8.4	Ku-Band 14.0 to 14.5	Broad-Band 5.8 to 16.0
VSWR:	1.18:1 Max.	1.10:1 Max.	1.15:1 Max.	1.18:1 Max.
Insertion Loss:	0.35 dB Max.	0.05 dB Max.	0.20 dB Max.	0.35 dB Max.
Isolation:	60 dB Min.	70 dB Min.	60 dB Min.	60 dB Min.

Flange:	See Flange Table
Voltage:	See Voltage Table
Switching Time	100 mS Max.

Material:	Aluminum (RF Assy)
Finish:	Iridite per MIL-DTL-5541 Paint Dull Black Enamel
Pressure:	30 PSIG (RF Head Only)
Drive:	Patented Logus I Motor

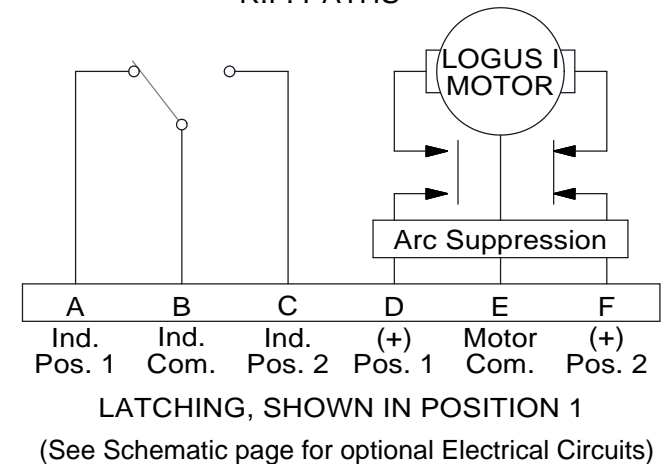
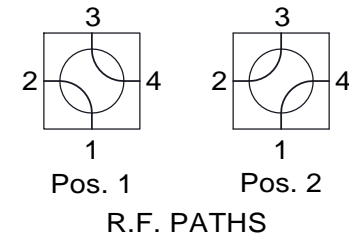
Temp:	Operating: -40°C to +85°C Non-Operating: -55°C to +100°C
Humidity:	0 to 100%, Fully Weatherized

ELECTRICAL CIRCUIT OPTIONS
NO INDICATORS
1 SET INDICATORS
2 SETS INDICATORS
3 SETS INDICATORS
4 SETS INDICATORS
INHIBIT CIRCUITS

DRIVE OPTIONS
LATCHING
PULSE LATCHING
FAILSAFE
TTL

VOLTAGE OPTIONS
12 VDC
15 VDC
24 VDC
28 VDC
48 VDC
115 VAC
230 VAC

FLANGE OPTIONS
COVER
GROOVE



RoHS Available