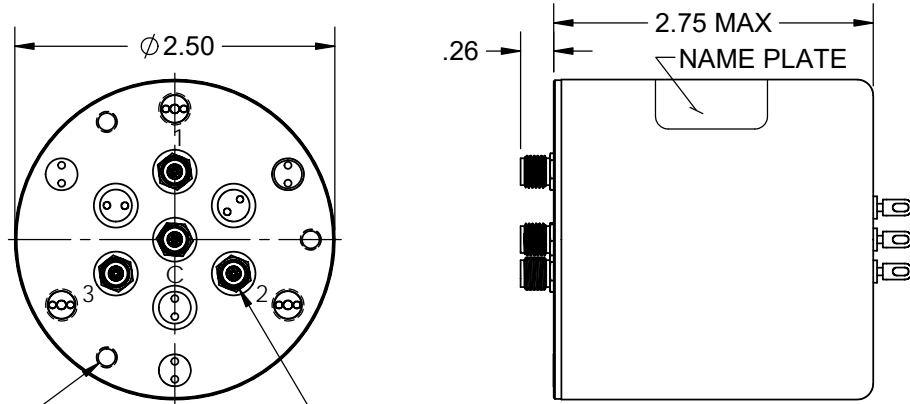




Coaxial Switch - T TC13BKL Series

REV. A

Terminated, SP3T, TTL, 2.9 MM, Latching, 1 Set Indicators



3X MOUNTING HOLES
8-32 UNC - 2B ∇ .22
EQUALLY SPACED AS SHOWN
ON A ϕ 2.125 B.C.

4X RF CONNECTOR
2.9 MM, FEMALE
3X EQUALLY SPACED AS
SHOWN ON A ϕ 1.062 B.C.

Frequency (GHz)	DC to 6	6 to 12	12 to 18	18 to 26.5	26.5 to 40
VSWR (max.)	1.3:1	1.4:1	1.5:1	1.7:1	2.0:1
Insertion Loss (max.)	0.2 dB	0.4 dB	0.5 dB	0.7 dB	0.9 dB
Isolation (min.)	70 dB	60 dB	60 dB	55 dB	50 dB
R.F. Power (max.)	100 WCW	70 WCW	45 WCW	25 WCW	10 WCW

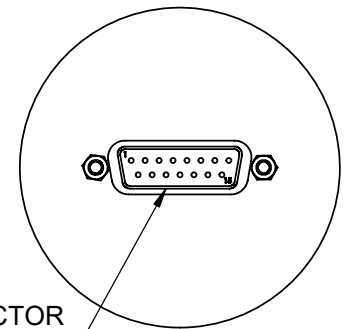
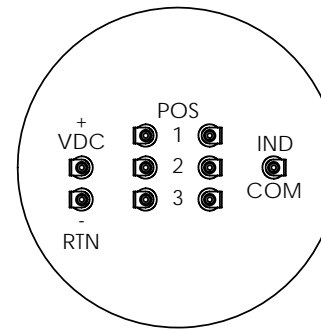
Termination Power: 1 WCW max. per Position
RF Impedance: 50 ohms
Voltage: See Table
Current: See Table
TTL Logic:
Voltage High: 2.4 to 5.5 VDC
Current High: 5 mA max. @ 5 VDC
Switching Time: 20 mS max.

Material: Aluminum (RF Assy)
RF Contacts: Break Before Make
Finish: Iridite per MIL-DTL-5541, Type II Class 3
Cover Black

STYLE	ENVIRONMENT	OPERATING TEMPERATURE	NON-OPERATING TEMPERATURE	HUMIDITY
TO	SHELTERED	0°C to +70°C	-40°C to +100°C	0 to 95%
TW	OUTDOOR	-40°C to +85°C	-55°C to +100°C	0 to 100%
TA	AIRBORNE	-54°C to +85°C	-55°C to +100°C	0 to 100%

OPTION 1 - SOLDER TERMINALS

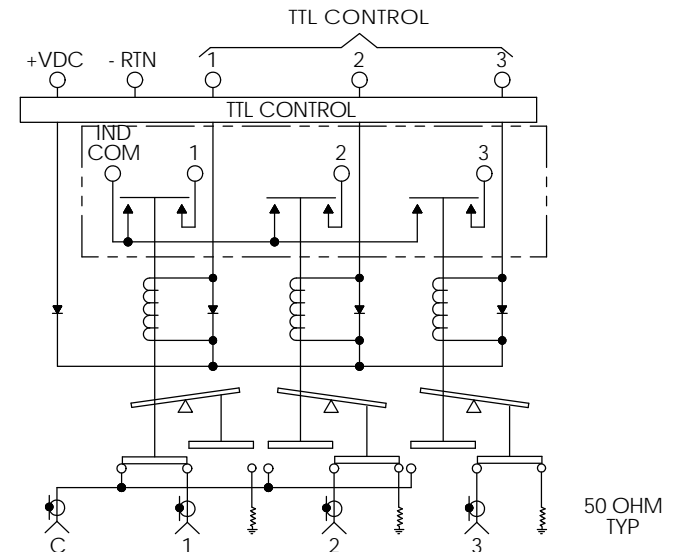
OPTION 4 - D-SUB



CONNECTOR
15 PIN MALE

STANDARD - 1 SET INDICATORS

OPTION A - NO INDICATORS



SCHEMATIC DIAGRAM SHOWN IN POSITION 1

OPTION	VOLTAGE	CURRENT @ 20° C
8	10 TO 14 VDC	500 mA Max @ 12 VDC
9	13 TO 18 VDC	350 mA Max @ 15 VDC
7	21 TO 28 VDC	225 mA Max @ 24 VDC
2	25 TO 32 VDC	240 mA Max @ 28 VDC

Model # ex. T TC13BKL [2] [A] [1]
Style Voltage Indicators Interface

RoHS Compliant (except AIRBORNE)