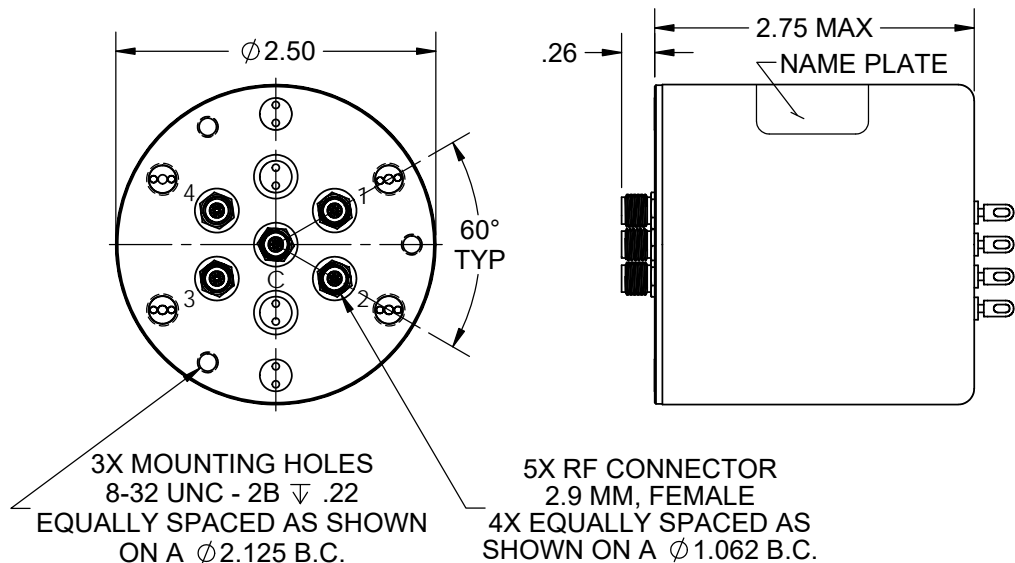




# Coaxial Switch - T C14BKL Series

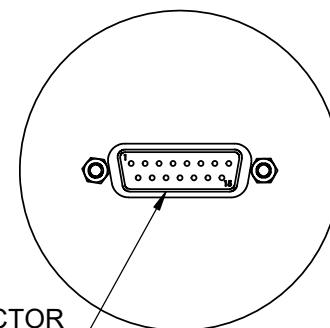
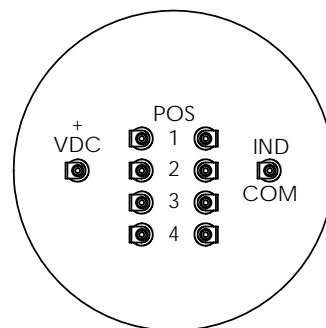
## Terminated, SP4T, 2.9 MM, Latching, 1 Set Indicators

REV. A



OPTION 1 - SOLDER TERMINALS

OPTION 4 - D-SUB



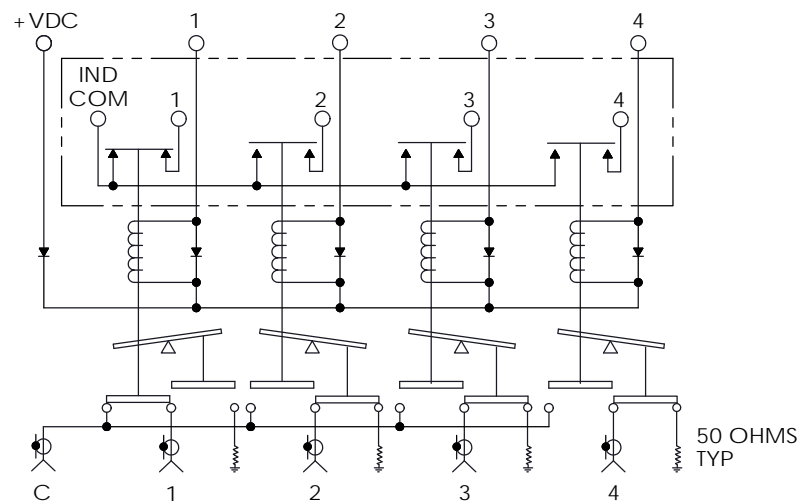
STANDARD - 1 SET INDICATORS

OPTION A - NO INDICATORS

Frequency (GHz)	DC to 6	6 to 12	12 to 18	18 to 26.5	26.5 to 40
VSWR (max.)	1.3:1	1.4:1	1.5:1	1.7:1	2.0:1
Insertion Loss (max.)	0.2 dB	0.4 dB	0.5 dB	0.7 dB	0.9 dB
Isolation (min.)	70 dB	60 dB	60 dB	55 dB	50 dB
R.F. Power (max.)	100 WCW	70 WCW	45 WCW	25 WCW	10 WCW

Termination Power: 1 WCW max. per Position  
 RF Impedance: 50 ohms  
 Voltage: See Table  
 Current: See Table  
 Switching Time: 20 mS max.

Material: Aluminum (RF Assy)  
 RF Contacts: Break Before Make  
 Finish: Iridite per MIL-DTL-5541, Type II Class 3  
 Cover Black



SCHMATIC SHOWN IN POSITION 1

STYLE	ENVIRONMENT	OPERATING TEMPERATURE	NON-OPERATING TEMPERATURE	HUMIDITY
TO	SHELTERED	0°C to +70°C	-40°C to +100°C	0 to 95%
TW	OUTDOOR	-40°C to +85°C	-55°C to +100°C	0 to 100%
TA	AIRBORNE	-54°C to +85°C	-55°C to +100°C	0 to 100%

OPTION	VOLTAGE	CURRENT @ 20° C
8	10 TO 14 VDC	500 mA Max @ 12 VDC
9	13 TO 18 VDC	350 mA Max @ 15 VDC
7	21 TO 28 VDC	225 mA Max @ 24 VDC
2	25 TO 32 VDC	240 mA Max @ 28 VDC

Model # ex. T  C14BKL      
 |  
 Style Voltage Indicators Interface

RoHS Compliant (except AIRBORNE)