



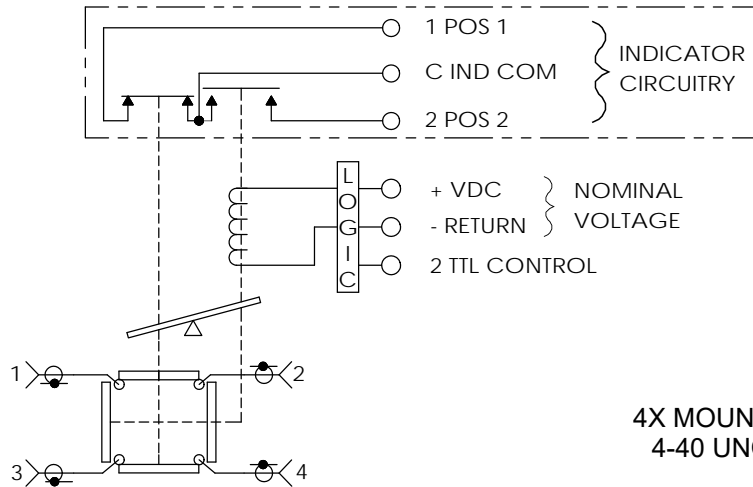
# Coaxial Switch - S□ TC22BKF Series

## DPDT, TTL, 2.9 MM, Failsafe, 1 Set Indicators

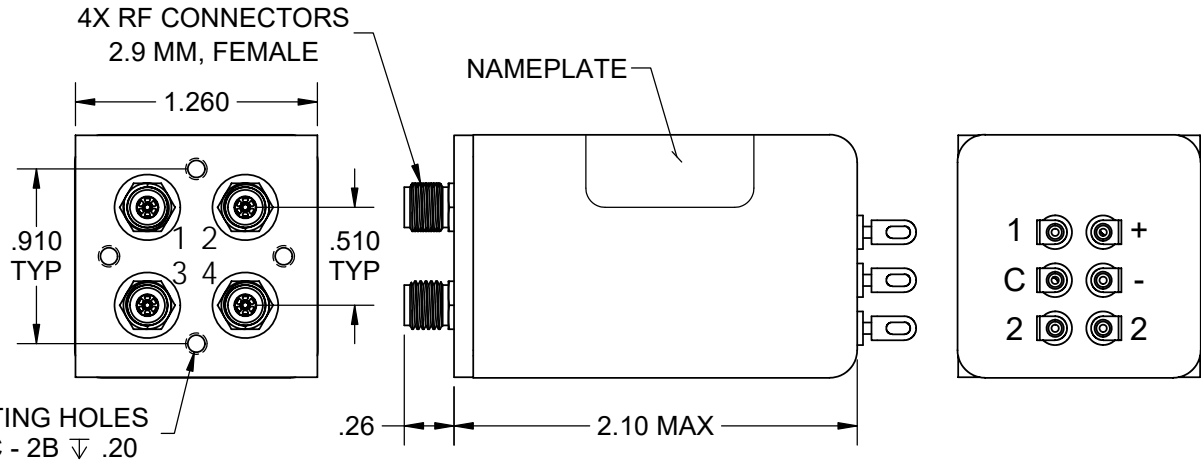
REV. A

STANDARD - 1 SET INDICATORS    OPTION A - NO INDICATORS

OPTION 1 - SOLDER TERMINALS



SCHEMATIC DIAGRAM SHOWN IN FAILSAFE POSITION 1



Frequency (GHz):	DC to 6.0	6.0 to 12.0	12.0 to 18.0	18.0 to 26.5	26.5 to 40.0
VSWR (Max):	1.3:1	1.4:1	1.5:1	1.7:1	2.0:1
Insertion Loss (Max):	0.3 dB	0.4 dB	0.5 dB	0.7 dB	0.9 dB
Isolation (Min):	70 dB Min.	60 dB Min.	60 dB Min.	55 dB Min.	50 dB Min.
Power (Max):	100 WCW	70 WCW	45 WCW	25 WCW	10 WCW

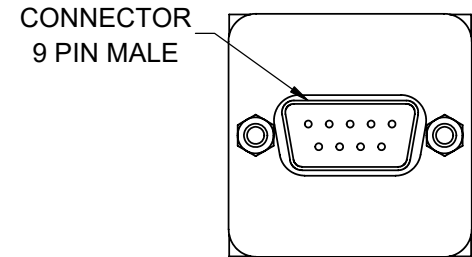
RF Impedance: 50 ohms  
 Voltage: See Table  
 Current: See Table  
 TTL Logic:  
   Voltage High: 2.4 to 5.5 VDC  
   Current High: 5 mA max. @ 5 VDC  
 Switching Time: 20 mS Max.

Material: Aluminum (RF Assy)  
 RF Contacts: Break Before Make  
 Finish: Iridite per MIL-DTL-5541, Type II Class 3  
 Cover Black

STYLE	ENVIRONMENT	OPERATING TEMPERATURE	NON-OPERATING TEMPERATURE	HUMIDITY
SO	SHELTERED	0°C to +70°C	-40°C to +100°C	0 to 95%
SW	OUTDOOR	-40°C to +85°C	-55°C to +100°C	0 to 100%
SA	AIRBORNE	-54°C to +85°C	-55°C to +100°C	0 to 100%

RoHS Compliant (except AIRBORNE)

OPTION 4 - D-SUB



OPTION	VOLTAGE	CURRENT @ 20° C
8	11 TO 13 VDC	400 mA Max @ 12 VDC
9	14 TO 16 VDC	400 mA Max @ 15 VDC
7	22 TO 26 VDC	350 mA Max @ 24 VDC
2	26 TO 30 VDC	350 mA Max @ 28 VDC

Model # ex. S□ TC22BKF [2] [A] [1]  
                   Style           Voltage Indicators   Interface