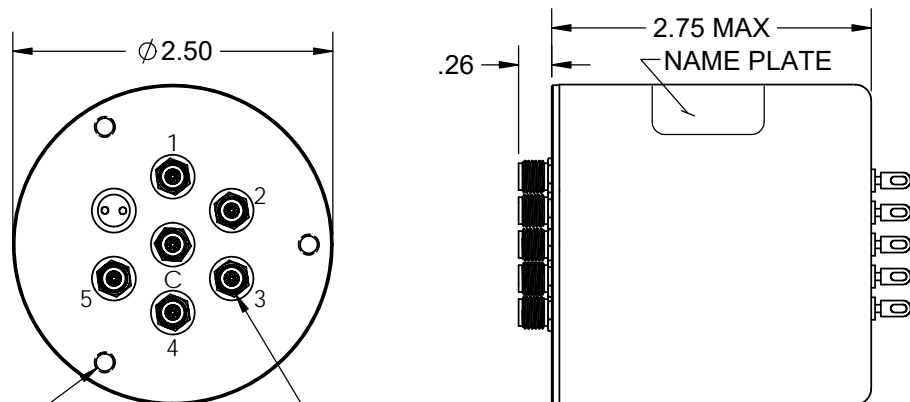




Coaxial Switch - S□TC15BKF Series

SP5T, TTL, 2.9 MM, Normally Open, 1 Set Indicators

REV. A



3X MOUNTING HOLES
8-32 UNC - 2B ▽ .22
EQUALLY SPACED AS SHOWN
ON A ϕ 2.125 B.C.

6X RF CONNECTOR
2.9 MM, FEMALE
5X EQUALLY SPACED AS
SHOWN ON A ϕ 1.062 B.C.

Frequency (GHz)	DC to 6	6 to 12	12 to 18	18 to 26.5	26.5 to 40
VSWR (max.)	1.3:1	1.4:1	1.5:1	1.7:1	2.0:1
Insertion Loss (max.)	0.2 dB	0.4 dB	0.5 dB	0.7 dB	0.9 dB
Isolation (min.)	70 dB	60 dB	60 dB	55 dB	50 dB
R.F. Power (max.)	100 WCW	70 WCW	45 WCW	25 WCW	10 WCW

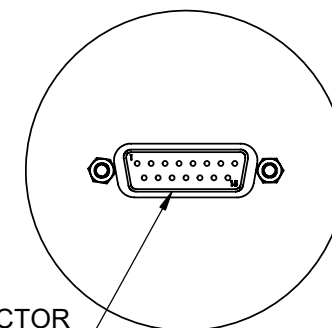
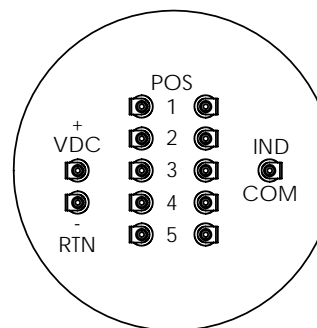
RF Impedance: 50 ohms
Voltage: See Table
Current: See Table
TTL Logic:
Voltage High: 2.4 to 5.5 VDC
Current High: 5 mA max. @ 5 VDC
Switching Time: 20 mS max.

Material: Aluminum (RF Assy)
RF Contacts: Break Before Make
Finish: Iridite per MIL-DTL-5541, Type II Class 3
Cover Black

STYLE	ENVIRONMENT	OPERATING TEMPERATURE	NON-OPERATING TEMPERATURE	HUMIDITY
SO	SHELTERED	0°C to +70°C	-40°C to +100°C	0 to 95%
SW	OUTDOOR	-40°C to +85°C	-55°C to +100°C	0 to 100%
SA	AIRBORNE	-54°C to +85°C	-55°C to +100°C	0 to 100%

OPTION 1 - SOLDER TERMINALS

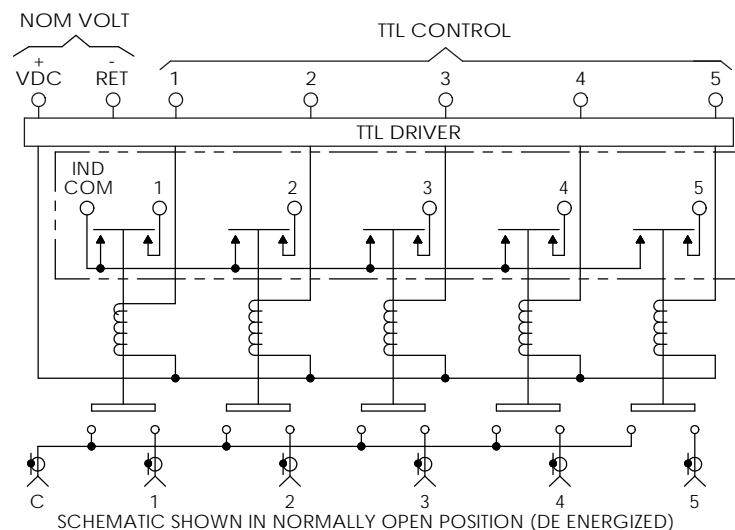
OPTION 4 - D-SUB



CONNECTOR
15 PIN MALE

STANDARD - 1 SET INDICATORS

OPTION A - NO INDICATORS



SCHEMATIC SHOWN IN NORMALLY OPEN POSITION (DE ENERGIZED)

OPTION	VOLTAGE	CURRENT @ 20° C
8	11 TO 13 VDC	260 mA Max @ 12 VDC
9	14 TO 16 VDC	260 mA Max @ 15 VDC
7	22 TO 26 VDC	225 mA Max @ 24 VDC
2	26 TO 30 VDC	240 mA Max @ 28 VDC

Model # ex. S□TC15BKF [2] [A] [1]
Style Voltage Indicators Interface

RoHS Compliant (except AIRBORNE)