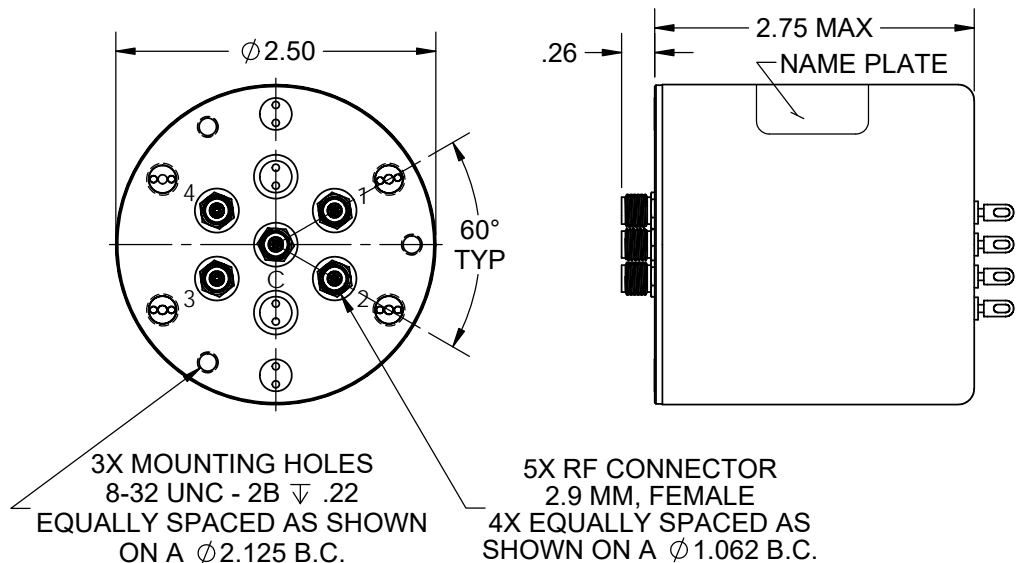




# Coaxial Switch - S□C14BKL Series

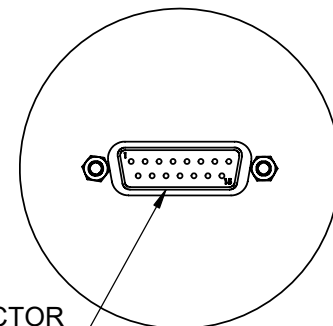
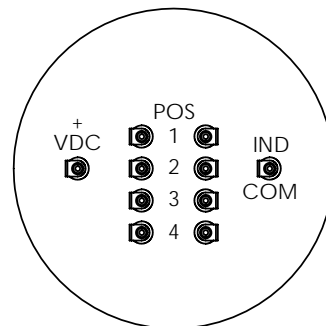
## SP4T, 2.9 MM, Latching, 1 Set Indicators

REV. A



OPTION 1 - SOLDER TERMINALS

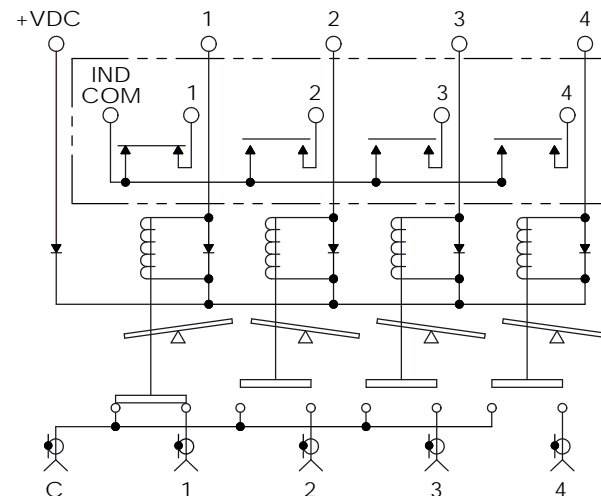
OPTION 4 - D-SUB



CONNECTOR  
15 PIN MALE

STANDARD - 1 SET INDICATORS

OPTION A - NO INDICATORS



SCHEMATIC SHOWN IN POSITION 1

|                       |         |         |          |            |            |
|-----------------------|---------|---------|----------|------------|------------|
| Frequency (GHz)       | DC to 6 | 6 to 12 | 12 to 18 | 18 to 26.5 | 26.5 to 40 |
| VSWR (max.)           | 1.3:1   | 1.4:1   | 1.5:1    | 1.7:1      | 2.0:1      |
| Insertion Loss (max.) | 0.2 dB  | 0.4 dB  | 0.5 dB   | 0.7 dB     | 0.9 dB     |
| Isolation (min.)      | 70 dB   | 60 dB   | 60 dB    | 55 dB      | 50 dB      |
| R.F. Power (max.)     | 100 WCW | 70 WCW  | 45 WCW   | 25 WCW     | 10 WCW     |

RF Impedance: 50 ohms  
 Voltage: See Table  
 Current: See Table  
 Switching Time: 20 mS max.

Material: Aluminum (RF Assy)  
 RF Contacts: Break Before Make  
 Finish: Iridite per MIL-DTL-5541, Type II Class 3  
 Cover Black

| STYLE | ENVIRONMENT | OPERATING TEMPERATURE | NON-OPERATING TEMPERATURE | HUMIDITY  |
|-------|-------------|-----------------------|---------------------------|-----------|
| SO    | SHELTERED   | 0°C to +70°C          | -40°C to +100°C           | 0 to 95%  |
| SW    | OUTDOOR     | -40°C to +85°C        | -55°C to +100°C           | 0 to 100% |
| SA    | AIRBORNE    | -54°C to +85°C        | -55°C to +100°C           | 0 to 100% |

| OPTION | VOLTAGE      | CURRENT @ 20° C     |
|--------|--------------|---------------------|
| 8      | 10 TO 14 VDC | 500 mA Max @ 12 VDC |
| 9      | 13 TO 18 VDC | 350 mA Max @ 15 VDC |
| 7      | 21 TO 28 VDC | 225 mA Max @ 24 VDC |
| 2      | 25 TO 32 VDC | 240 mA Max @ 28 VDC |

Model # ex. S□C14BKL [2] [A] [1]  
 Style Voltage Indicators Interface