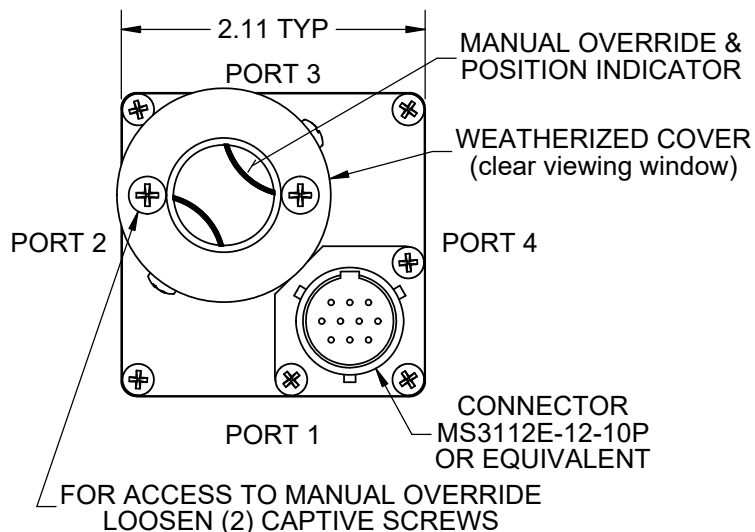
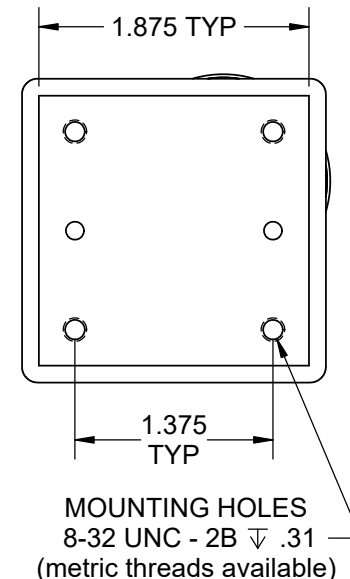
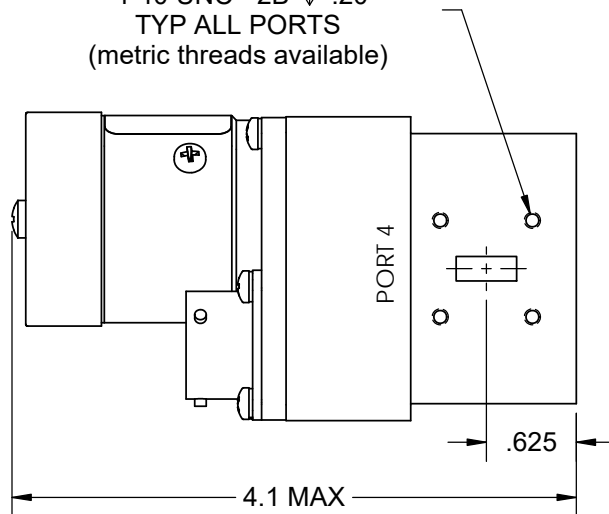




Waveguide Switch - MW Series - TTL - WR42



4X FLANGE MOUNTING HOLES
4-40 UNC - 2B ∇ .20
TYP ALL PORTS
(metric threads available)



Operating Notes:

- Active logic switch command duration must be greater than 100 mS.
- Maximum switching rate not to exceed 30 per minute.
- Supply to Pin D (Pos. 1) or Pin F (Pos. 2) is 3.0 to 5.5 Vdc. Current draw is 5 mA @ 5 Vdc.

Frequency: 18.0 to 26.5 GHz
VSWR: 1.10:1 Max.
Insertion Loss: 0.15 dB Max.
Isolation: 60 dB Min.

Flange: See Flange Table
Voltage: See Voltage Table
Switching Time: 80 mS Max.

Material: Aluminum (RF Assy)
Finish: Iridite per MIL-DTL-5541
Paint Dull Black Enamel
Pressure: 30 PSIG (RF Head Only)
Drive: Patented Logus I Motor

Temp: Operating: -40°C to +85°C
Non-Operating: -55°C to +100°C
Humidity: 0 to 100%, Fully Weatherized

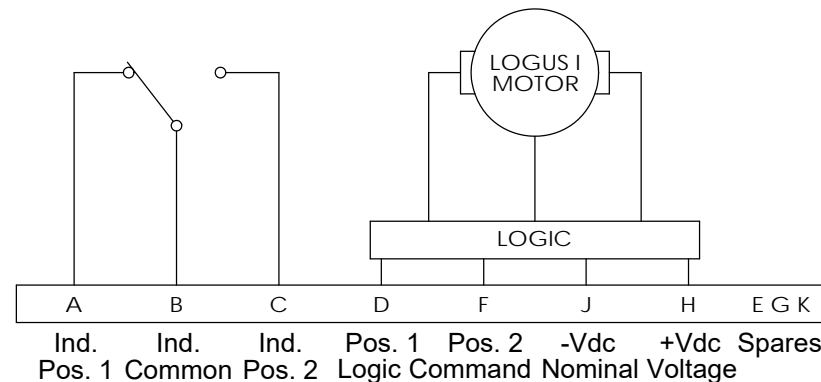
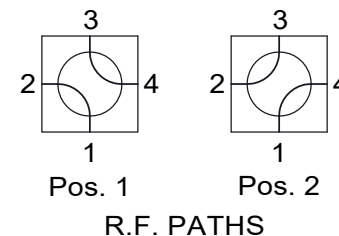
RoHS Available

(See Model # Chart to select options)

ELECTRICAL CIRCUIT OPTIONS	
NO INDICATORS	
1 SET INDICATORS	
2 SETS INDICATORS	
3 SETS INDICATORS	
4 SETS INDICATORS	
INHIBIT CIRCUITS	

FLANGE OPTIONS	
COVER	
GROOVE	
CHOKE	

DRIVE OPTIONS		VOLTAGE OPTIONS	
LATCHING		12 VDC	
PULSE LATCHING		15 VDC	
FAILSAFE		24 VDC	
		28 VDC	
		48 VDC	
		115 VAC	



LATCHING, TTL SHOWN IN POSITION 1

(See Schematic page for optional Electrical Circuits)