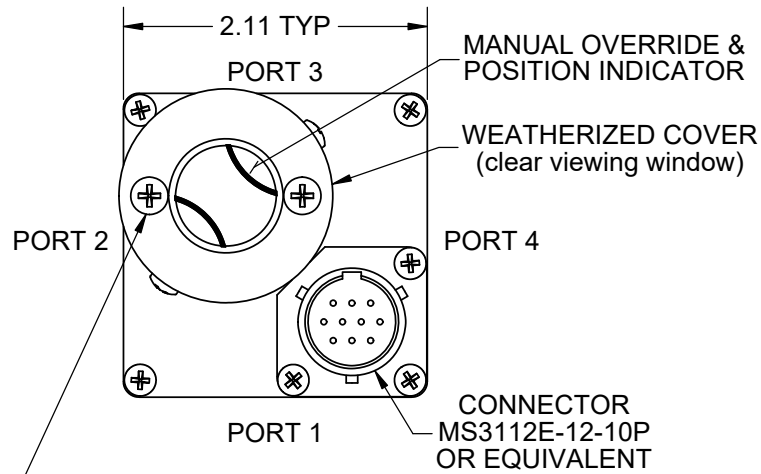




Waveguide Switch - MW Series - TTL - WR34



FOR ACCESS TO MANUAL OVERRIDE
LOOSEN (2) CAPTIVE SCREWS

Operating Notes:

- Active logic switch command duration must be greater than 100 mS.
- Maximum switching rate not to exceed 30 per minute.
- Supply to Pin D (Pos. 1) or Pin F (Pos. 2) is 3.0 to 5.5 Vdc. Current draw is 5 mA @ 5 Vdc.

Frequency: 22.0 to 33.0 GHz
 VSWR: 1.15:1 Max.
 Insertion Loss: 0.15 dB Max.
 Isolation: 60 dB Min.

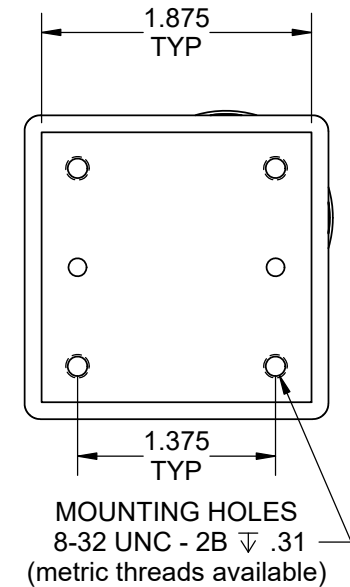
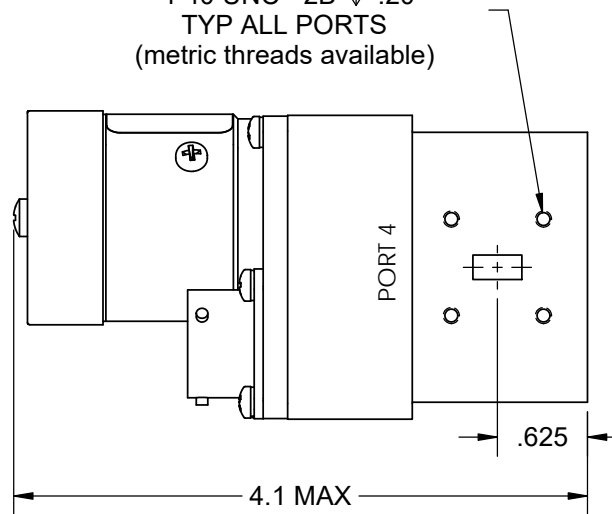
Flange: See Flange Table
 Voltage: See Voltage Table
 Switching Time: 80 mS Max.

Material: Aluminum (RF Assy)
 Finish: Iridite per MIL-DTL-5541
 Paint Dull Black Enamel
 Pressure: 30 PSIG (RF Head Only)
 Drive: Patented Logus I Motor

Temp: Operating: -40°C to +85°C
 Non-Operating: -55°C to +100°C
 Humidity: 0 to 100%, Fully Weatherized

RoHS Available

4X FLANGE MOUNTING HOLES
 4-40 UNC - 2B ∇ .20
 TYP ALL PORTS
 (metric threads available)



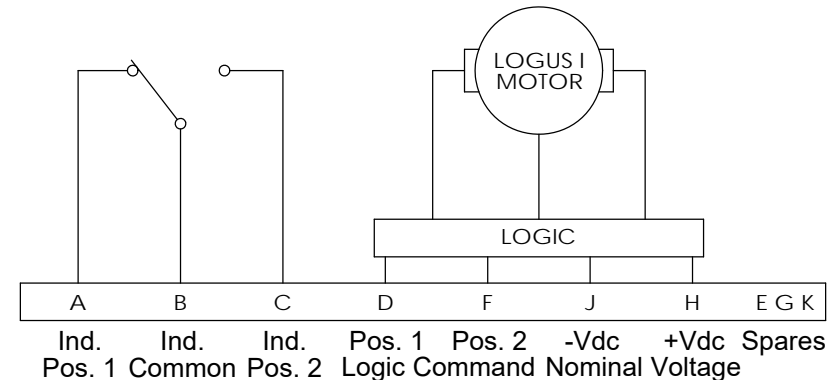
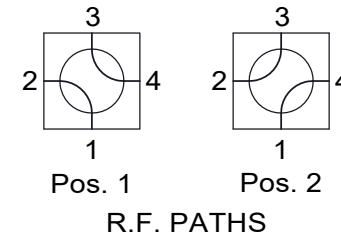
(See Model # Chart to select options)

ELECTRICAL CIRCUIT OPTIONS
NO INDICATORS
1 SET INDICATORS
2 SETS INDICATORS
3 SETS INDICATORS
4 SETS INDICATORS
INHIBIT CIRCUITS

FLANGE OPTIONS
COVER
GROOVE
CHOKE

DRIVE OPTIONS
LATCHING
PULSE LATCHING
FAILSAFE

VOLTAGE OPTIONS
12 VDC
15 VDC
24 VDC
28 VDC
48 VDC
115 VAC



LATCHING, TTL SHOWN IN POSITION 1

(See Schematic page for optional Electrical Circuits)