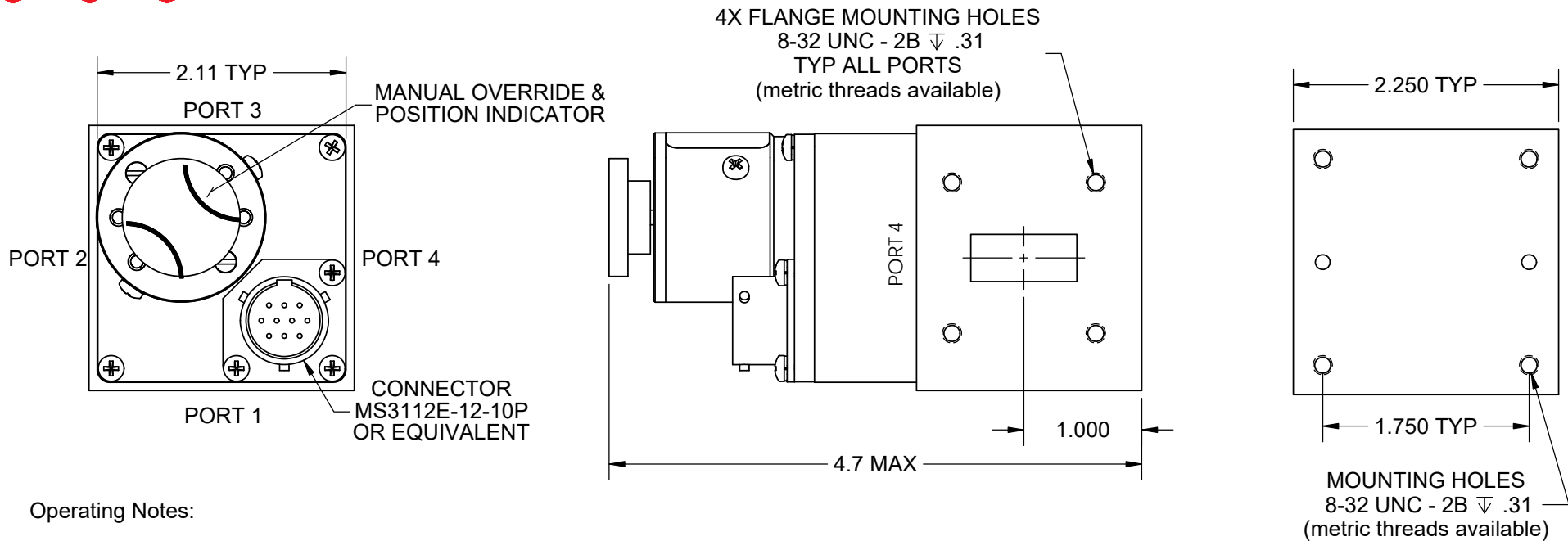




Waveguide Switch - MM Series - TTL - WR90

REV. A



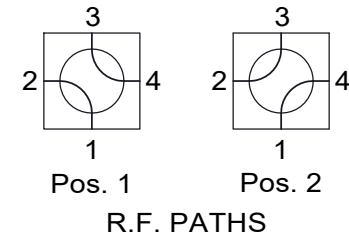
Operating Notes:

- Active logic switch command duration must be greater than 100 ms.
- Maximum switching rate not to exceed 30 per minute.
- Supply to Pin D (Pos. 1) or Pin F (Pos. 2) is 3.0 to 5.5 Vdc. Current draw is 5 mA @ 5 Vdc.

(See Model # Chart to select options)

ELECTRICAL CIRCUIT OPTIONS	
NO INDICATORS	
1 SET INDICATORS	
2 SETS INDICATORS	
3 SETS INDICATORS	
4 SETS INDICATORS	
INHIBIT CIRCUITS	

FLANGE OPTIONS	
COVER	
GROOVE	
CHOKE	



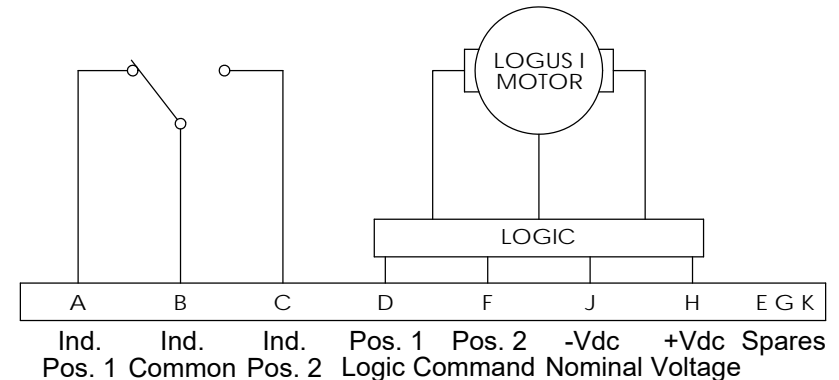
Frequency: 8.2 to 12.4 GHz
VSWR: 1.10:1 Max.
Insertion Loss: 0.07 dB Max.
Isolation: 80 dB Min.

Flange: See Flange Table
Voltage: See Voltage Table
Switching Time: 100 mS Max.

Material: Aluminum (RF Assy)
Finish: Iridite per MIL-DTL-5541
Paint Dull Black Enamel
Pressure: 30 PSIG (RF Head Only)
Drive: Patented Logus I Motor

Temp: Operating: -40°C to +85°C
Non-Operating: -55°C to +100°C
Humidity: 0 to 95%, No Condensation

DRIVE OPTIONS	
LATCHING	12 VDC
PULSE LATCHING	15 VDC
FAILSAFE	24 VDC
	28 VDC
	48 VDC
	115 VAC



LATCHING, TTL SHOWN IN POSITION 1

(See Schematic page for optional Electrical Circuits)

RoHS Available