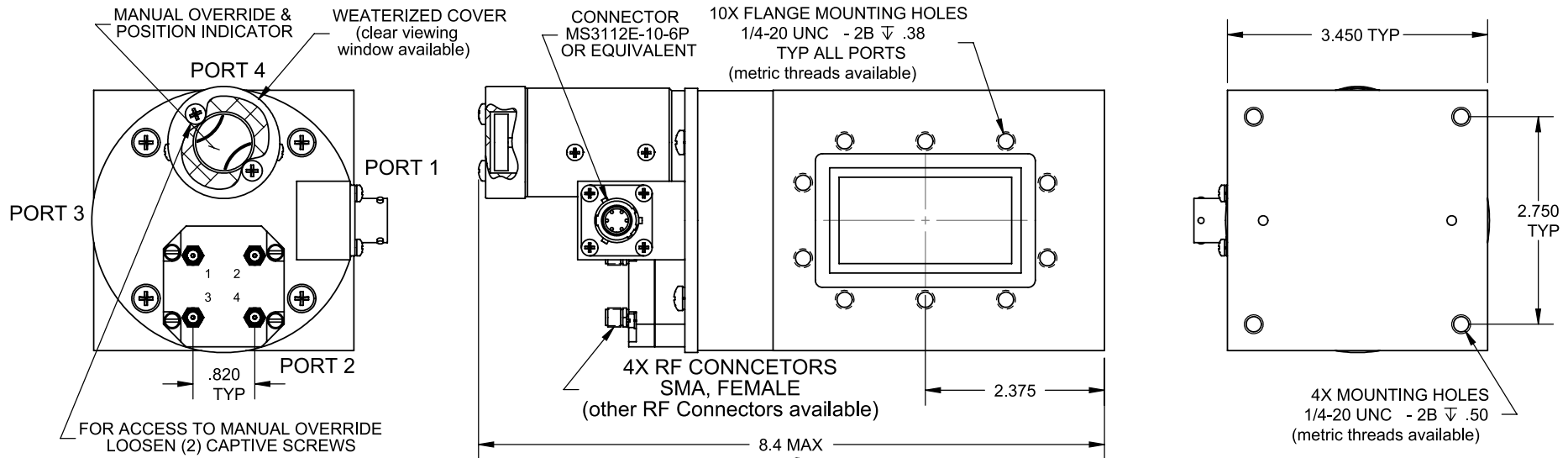


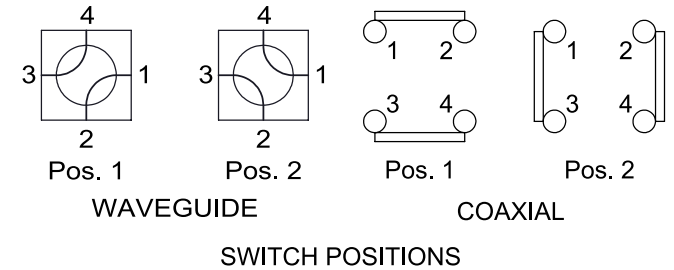
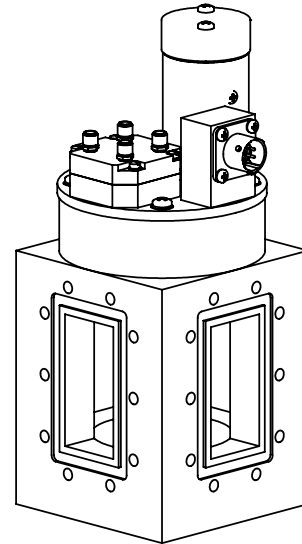


Logus Satellite Communications Division

1305 Hill Ave., West Palm Beach, FL 33407 USA | tel: 561-842-3550 | fax: 561-842-2196 | www.LogusSat.com



Waveguide Switch WR229 Dual Series

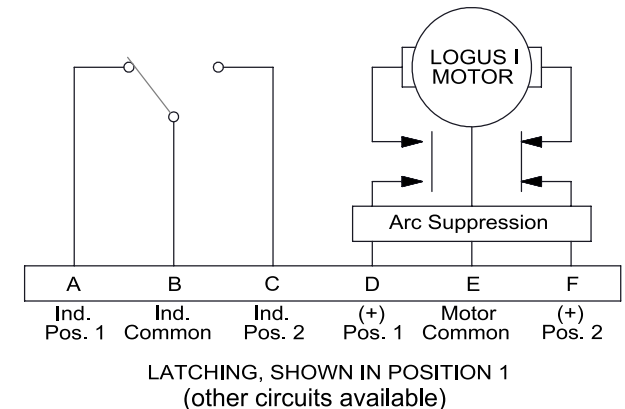


Frequency:	3.3 to 4.9 GHz	
VSWR:	1.05:1 Max.	WG
Insertion Loss:	0.02 dB Max.	COAX
Isolation:	80 dB Min.	1.3:1 Max.
Power:	45.0 KWCW Max.	0.3 dB Max.
Unpressurized:	950.0 KW Peak	60 dB Min.
Flange:	See Flange Table	50 W Max
Voltage:	See Voltage Table	
Switching Time:	200 mS Max.	
Material:	Aluminum (RF Assy)	
Finish:	Iridite per MIL-C-5541 Paint Dull Black Enamel	
Pressure:	30 PSIG (RF Head Only)	
Drive:	Patented Logus I Motor	
Operating Life:	1,000,000 Cycles	
Temp:	Operating: -40°C to +85°C Non-Operating: -55°C to +100°C	
Humidity:	0 to 100%, Fully Weatherized	

DRIVE OPTIONS
LATCHING
PULSE LATCHING
FAILSAFE
TTL

VOLTAGE OPTIONS
12 VDC
15 VDC
24 VDC
28 VDC
48 VDC
115 VAC
230 VAC

FLANGE OPTIONS
CPR FLAT
CPR GROOVE
CMR



RoHS Available