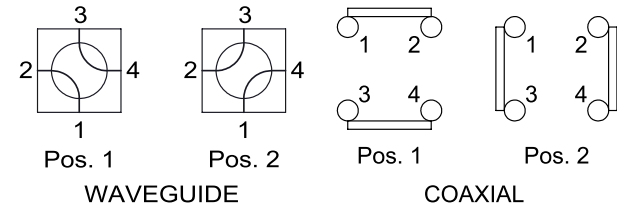
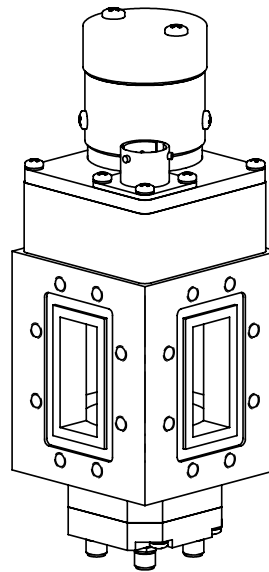
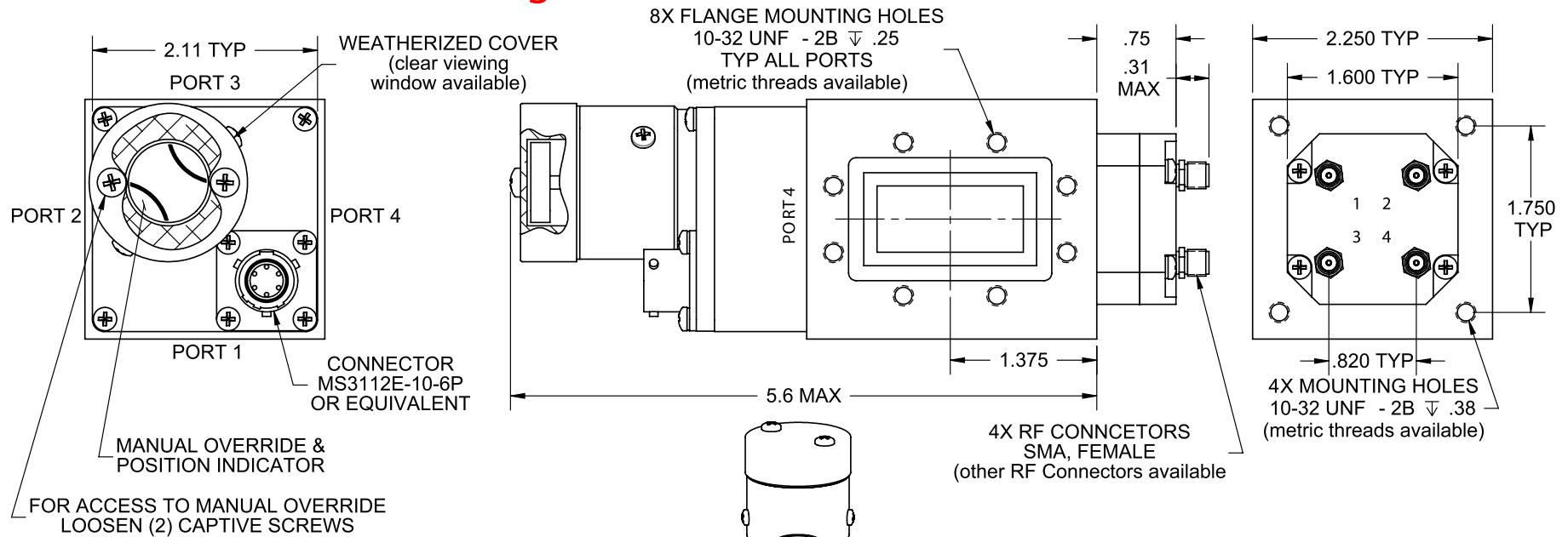




Waveguide Switch - WR137 Dual Series



SWITCH POSITIONS

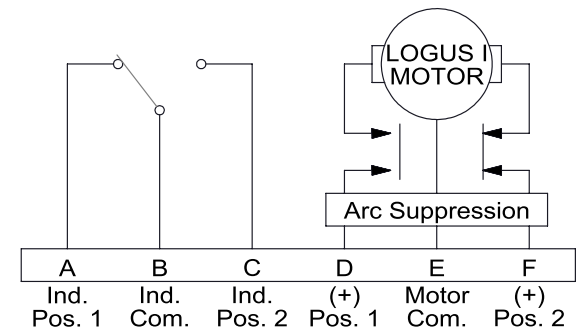
Frequency:	5.85 to 8.20 GHz	
VSWR:	WG 1.05:1 Max.	COAX 1.3:1 Max.
Insertion Loss:	0.02 dB Max.	0.3 dB Max.
Isolation:	70 dB Min.	60 dB Min.
Power:	12.0 KWCW Max.	50 W Max
Unpressurized:	320.0 KW Peak	

Flange:	See Flange Table
Voltage:	See Voltage Table
Switching Time	100 mS Max.
Material:	Aluminum (RF Assy)
Finish:	Iridite per MIL-C-5541 Paint Dull Black Enamel
Pressure:	30 PSIG (RF Head Only)
Drive:	Patented Logus I Motor
Operating Life:	1,000,000 Cycles
Temp:	Operating: -40°C to +85°C Non-Operating: -55°C to +100°C
Humidity:	0 to 100%, Fully Weatherized

DRIVE OPTIONS
LATCHING
PULSE LATCHING
FAILSAFE
TTL

VOLTAGE OPTIONS
12 VDC
15 VDC
24 VDC
28 VDC
48 VDC
115 VAC
230 VAC

FLANGE OPTIONS
CPR FLAT
CPR GROOVE
CMR



LATCHING, SHOWN IN POSITION 1

(other circuits available)