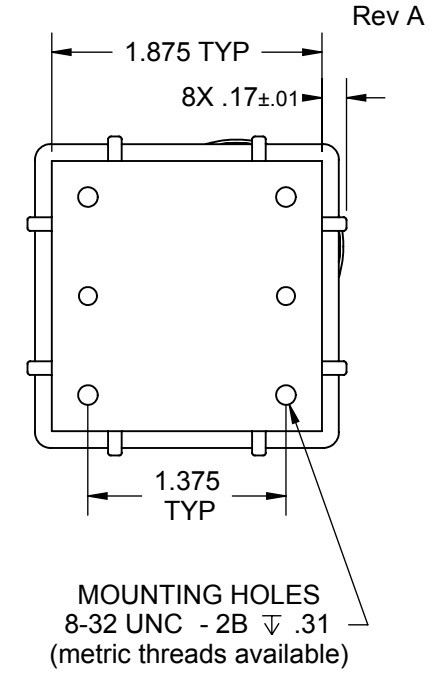
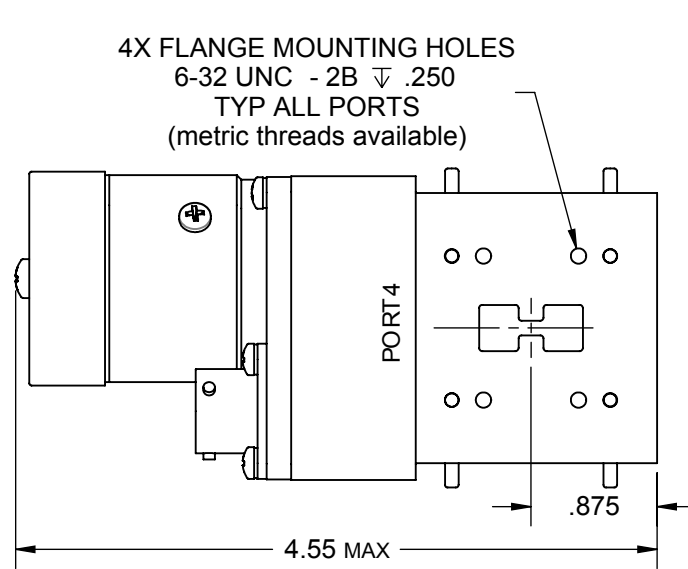
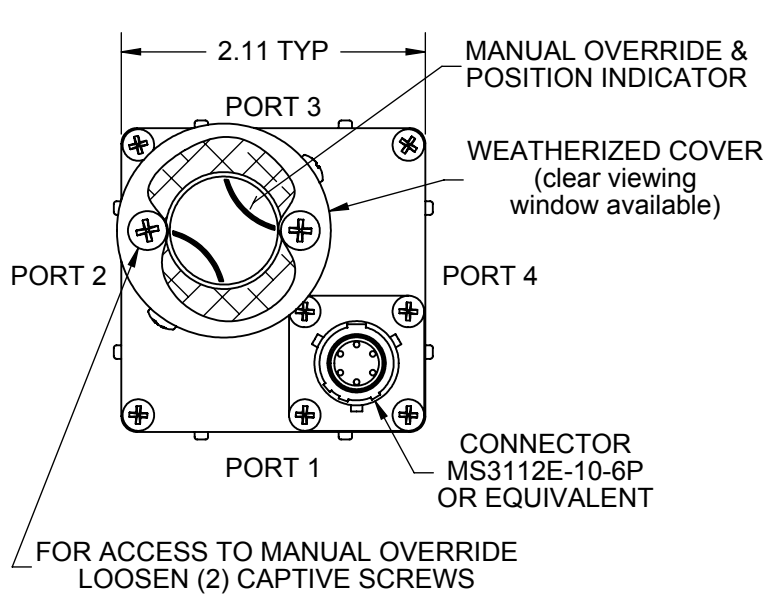


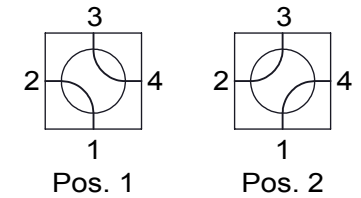
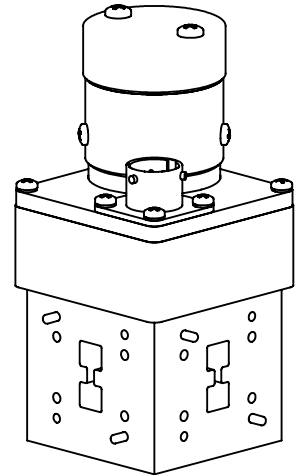


# Logus Satellite Communications Division

1305 Hill Ave., West Palm Beach, FL 33407 USA | tel: 561-842-3550 | fax: 561-842-2196 | www.LogusSat.com



## Waveguide Switch WRD650 Series



R.F. PATHS

- Frequency: 6.5 to 18.0 GHz
- VSWR: 1.18:1 Max.
- Insertion Loss: 0.35 dB Max.
- Isolation: 60 dB Min.
- Flange: See Flange Table
- Voltage: See Voltage Table
- Switching Time: 100 mS Max.
- Material: Aluminum (RF Assy)
- Finish: Iridite per MIL-C-5541  
Paint Dull Black Enamel
- Pressure: 30 PSIG (RF Head Only)
- Drive: Patented Logus I Motor
- Temp: Operating: -40°C to +85°C  
Non-Operating: -55°C to +100°C
- Humidity: 0 to 100%, Fully Weatherized
- RoHS Available

DRIVE OPTIONS
LATCHING
PULSE LATCHING
FAILSAFE
TTL

VOLTAGE OPTIONS
12 VDC
15 VDC
24 VDC
28 VDC
48 VDC
115 VAC
230 VAC

FLANGE OPTIONS
COVER
GROOVE

