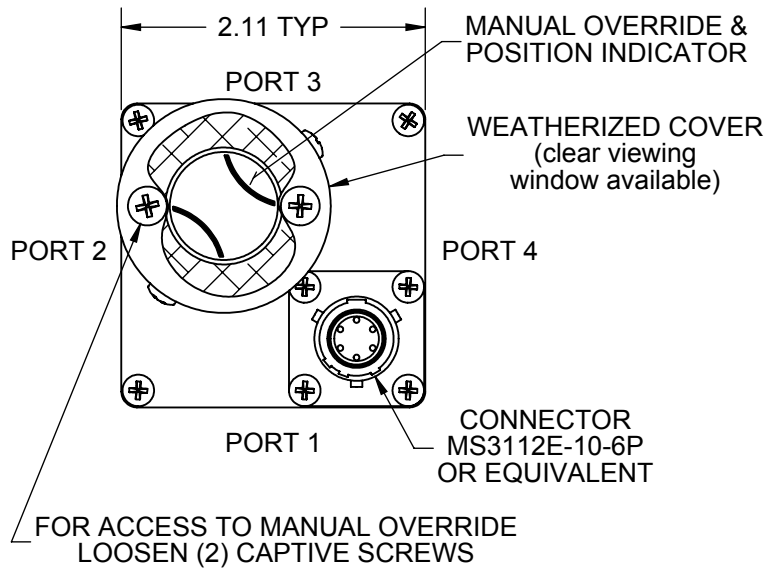




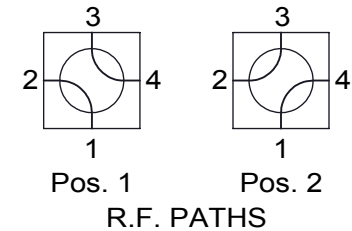
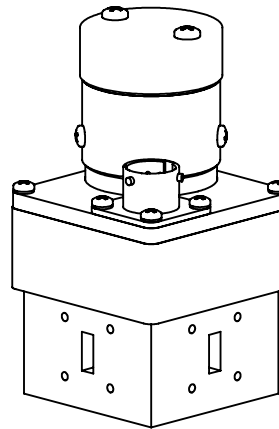
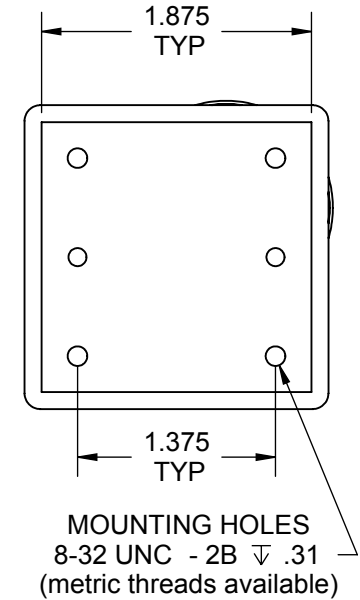
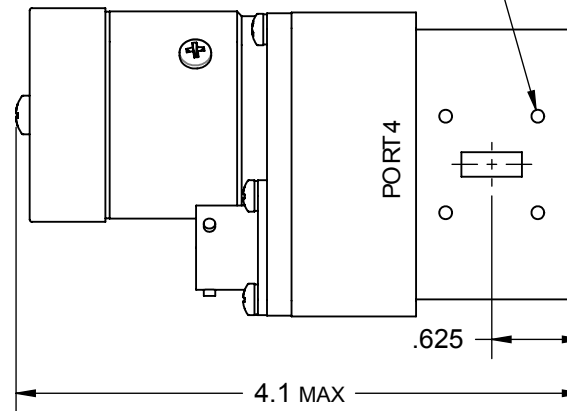
## Waveguide Switch - WR42 Series

Rev A



4X FLANGE MOUNTING HOLES

4-40 UNC - 2B  $\nabla$  .19  
TYP ALL PORTS  
(metric threads available)



Frequency: 18.0 to 26.5 GHz  
VSWR: 1.10:1 Max.  
Insertion Loss: 0.15 dB Max.  
Isolation: 60 dB Min.

Flange: See Flange Table  
Voltage: See Voltage Table  
Switching Time: 80 mS Max.

Material: Aluminum (RF Assy)  
Finish: Iridite per MIL-C-5541  
Paint Dull Black Enamel  
Pressure: 30 PSIG (RF Head Only)  
Drive: Patented Logus I Motor

Temp: Operating: -40°C to +85°C  
Non-Operating: -55°C to +100°C  
0 to 100%, Fully Weatherized

Humidity: RoHS Available

DRIVE OPTIONS
LATCHING
PULSE LATCHING
FAILSAFE
TTL

VOLTAGE OPTIONS
12 VDC
15 VDC
24 VDC
28 VDC
48 VDC
115 VAC
230 VAC

FLANGE OPTIONS
COVER
GROOVE
CHOKE

