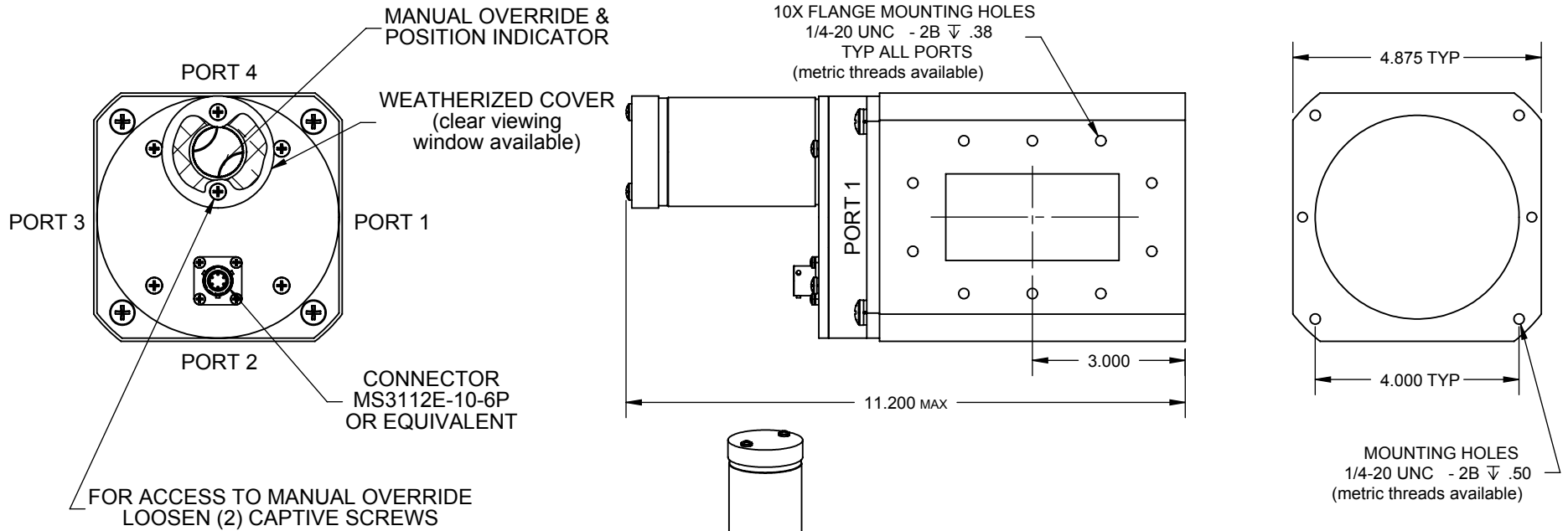




## Waveguide Switch - WR340 Series

Rev A



Frequency: 2.2 to 3.3 GHz  
 VSWR: 1.07:1 Max.  
 Insertion Loss: 0.05 dB Max.  
 Isolation: 70 dB Min.

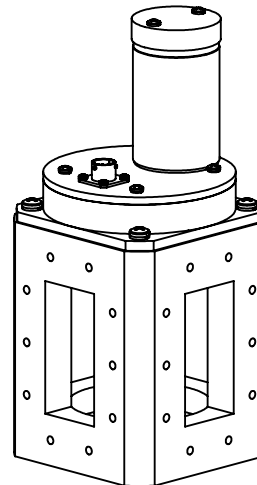
Flange: See Flange Table  
 Voltage: See Voltage Table  
 Switching Time: 200 mS Max.

Material: Aluminum (RF Assy)  
 Finish: Iridite per MIL-C-5541  
 Paint Dull Black Enamel  
 Pressure: 30 PSIG (RF Head Only)  
 Drive: Patented Logus Motor

Temp: Operating: -40°C to +85°C  
 Non-Operating: -55°C to +100°C

Humidity: 0 to 100%, Fully Weatherized

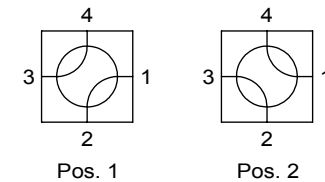
RoHS Available



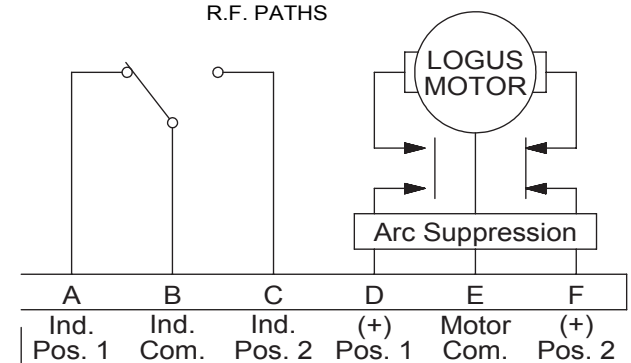
| DRIVE OPTIONS  |
|----------------|
| LATCHING       |
| PULSE LATCHING |
| FAILSAFE       |
| TTL            |

| VOLTAGE OPTIONS |
|-----------------|
| 12 VDC          |
| 15 VDC          |
| 24 VDC          |
| 28 VDC          |
| 48 VDC          |
| 115 VAC         |
| 230 VAC         |

| FLANGE OPTIONS |
|----------------|
| CPR-F          |
| CPR-G          |



R.F. PATHS



LATCHING, SHOWN IN POSITION 1

(other circuits available)