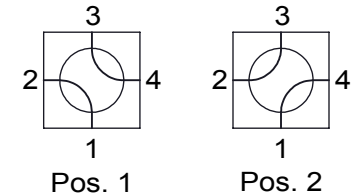
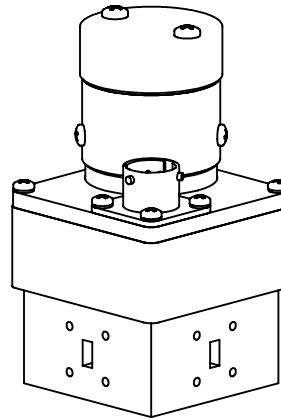
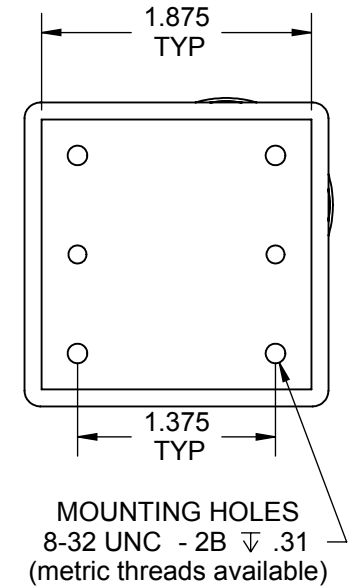
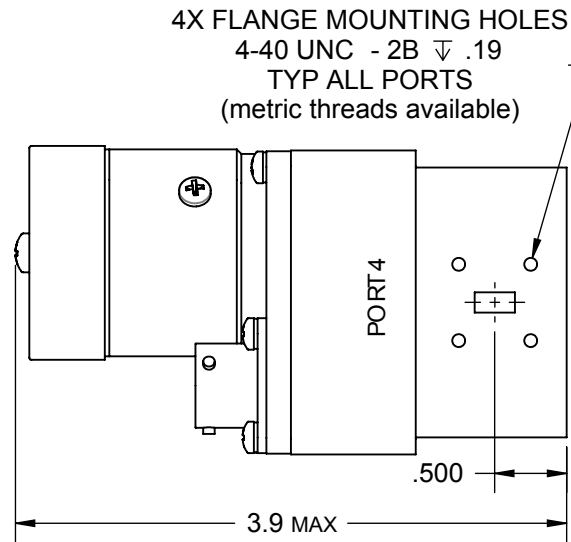
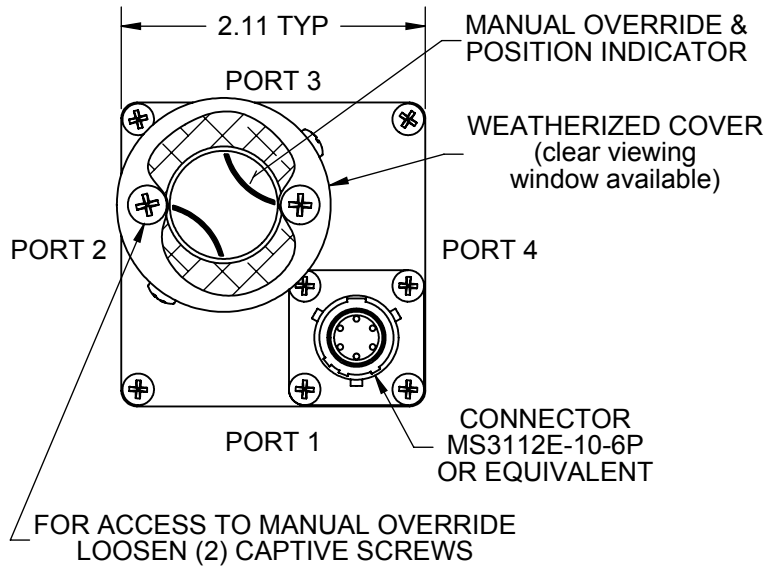


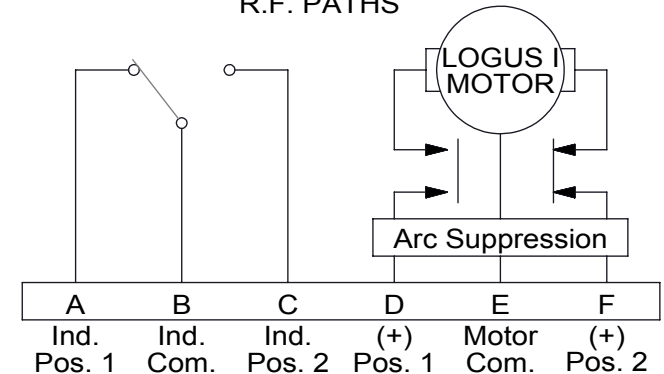


Waveguide Switch - WR28 Series

Rev A



R.F. PATHS



LATCHING, SHOWN IN POSITION 1

(other circuits available)

- Frequency: 26.5 to 40.0 GHz
- VSWR: 1.15:1 Max.
- Insertion Loss: 0.15 dB Max.
- Isolation: 55 dB Min.
- Flange: See Flange Table
- Voltage: See Voltage Table
- Switching Time: 80 mS Max.
- Material: Aluminum (RF Assy)
- Finish: Iridite per MIL-C-5541
Paint Dull Black Enamel
- Pressure: 30 PSIG (RF Head Only)
- Drive: Patented Logus I Motor
- Temp: Operating: -40°C to +85°C
Non-Operating: -55°C to +100°C
- Humidity: 0 to 100%, Fully Weatherized

RoHS Available

DRIVE OPTIONS
LATCHING
PULSE LATCHING
FAILSAFE
TTL

VOLTAGE OPTIONS
12 VDC
15 VDC
24 VDC
28 VDC
48 VDC
115 VAC
230 VAC

FLANGE OPTIONS
COVER
GROOVE
CHOKE