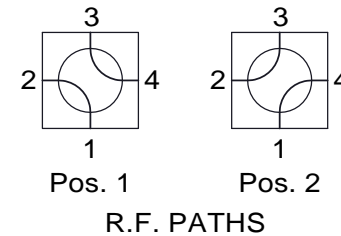
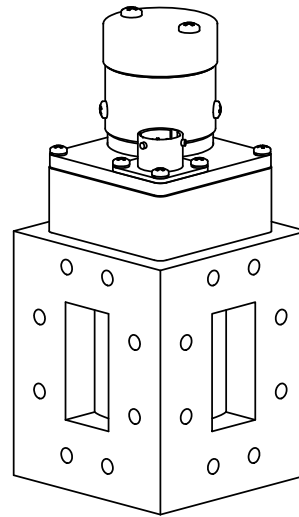
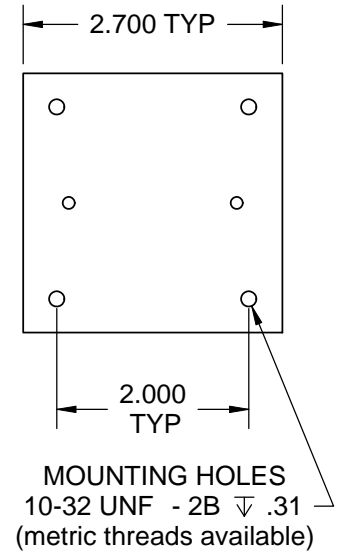
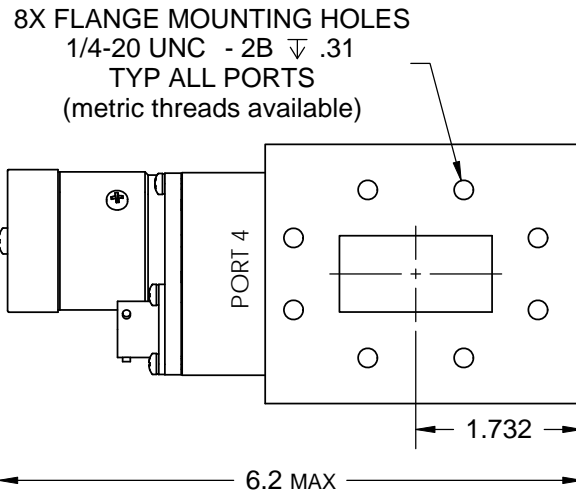
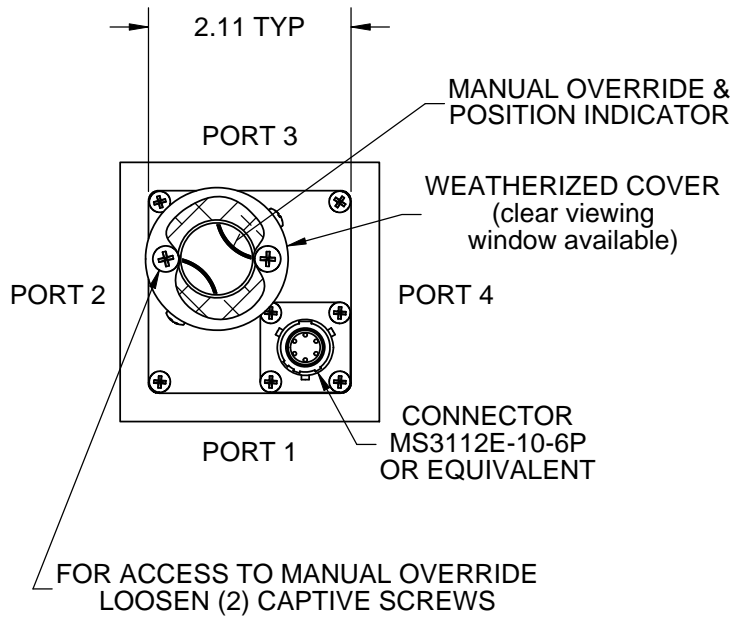


Waveguide Switch - WR159 Series

Rev A



Frequency: 4.9 to 7.05 GHz
VSWR: 1.10:1 Max.
Insertion Loss: 0.02 dB Max.
Isolation: 70 dB Min.

Flange: See Flange Table
Voltage: See Voltage Table
Switching Time: 150 mS Max.

Material: Aluminum (RF Assy)
Finish: Iridite per MIL-C-5541
Paint Dull Black Enamel
Pressure: 30 PSIG (RF Head Only)
Drive: Patented Logus I Motor

Temp: Operating: -40°C to +85°C
Non-Operating: -55°C to +100°C
Humidity: 0 to 100%, Fully Weatherized

RoHS Available

DRIVE OPTIONS
LATCHING
PULSE LATCHING
FAILSAFE
TTL

VOLTAGE OPTIONS
12 VDC
15 VDC
24 VDC
28 VDC
48 VDC
115 VAC
230 VAC

FLANGE OPTIONS
CPR-F
CPR-G

